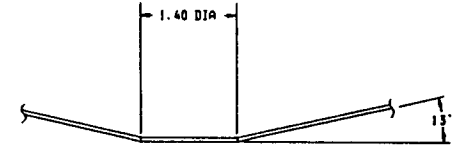
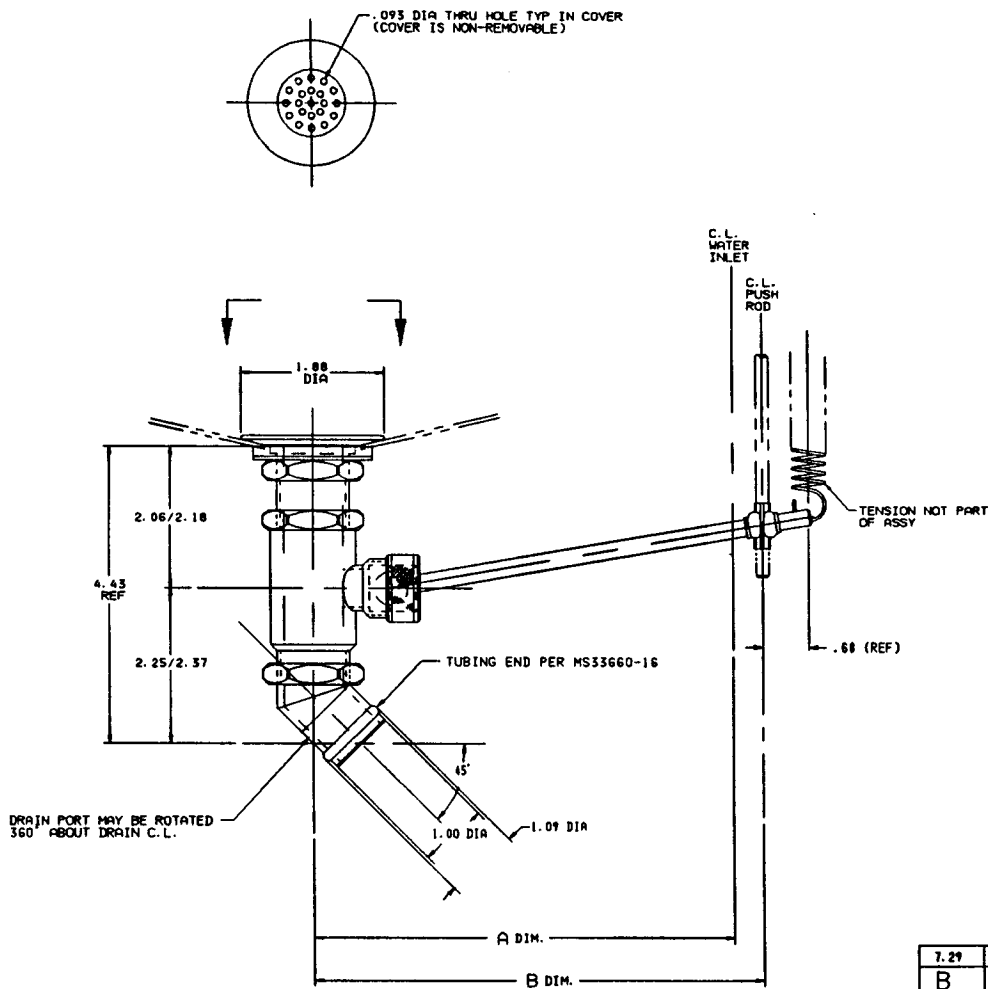


THIS DRAWING AND ALL INFORMATION HEREON IS THE PROPERTY OF SKYLOCK INDUSTRIES INCORPORATED. REPRODUCTION, USE AND DISSEMINATION OF THIS DRAWING WITHOUT THE WRITTEN PERMISSION OF SKYLOCK INDUSTRIES INCORPORATED IS PROHIBITED. THE FOREGOING DOES NOT APPLY TO THIS DRAWING.

REVISIONS:				
REV	DATE	DESCRIPTION	DATE	APPROVED
NC		PRODUCTION RELEASE	11-26-95	SC
A		REVISED PER CUST. REQUEST	1-18-96	TC

- NOTES: UNLESS OTHERWISE SPECIFIED
1. REMOVE ALL BURRS AND SHARP EDGES
 2. MAT'L: SINK FLANGE, BODY, DRAIN TUBE, ACTUATING ROD, AND POPPET; CRES; SEALS AND GASKETS; RUBBER; ACTUATING BALL AND HOUSING; NYLON
 3. FINISH: ALL VISIBLE SURFACES SHALL BE SATIN BRUSHED



SINK-DRAIN CUTOUT

-401, -403 DRAIN ASSY SHOWN

REV	DATE	DESCRIPTION	DATE	APPROVED
7.29	8.95	-401 DRAIN ASSY		
B	A			

UNLESS OTHERWISE SPECIFIED DIMENSIONS ARE IN INCHES	CONTRACT NO.	SKYLOCK INDUSTRIES INCORPORATED HONOLULU, CALIFORNIA, USA	
DRAWING RELEASED BY: S. CSIK	DATE: 11-26-95	DRAIN ASSY	
DO NOT SCALE DIMENSIONS	SCALE: 1:1	DRAIN ASSY	
USED BY: SKYLOCK INDUSTRIES	ISSUE NO. D	REV. NO. S1941	QTY. 90085