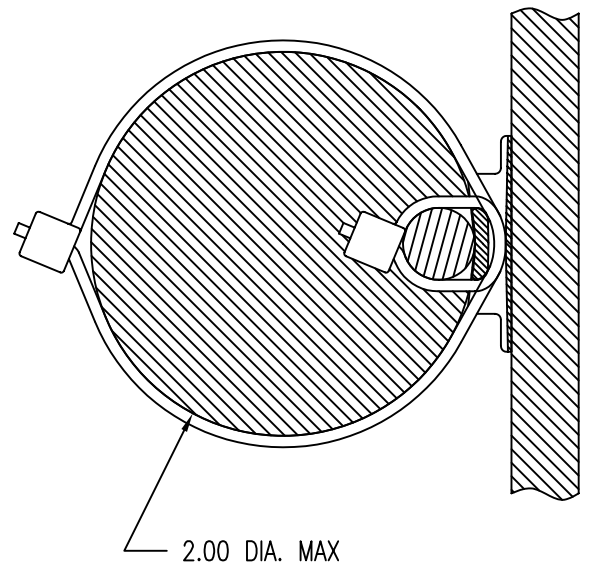
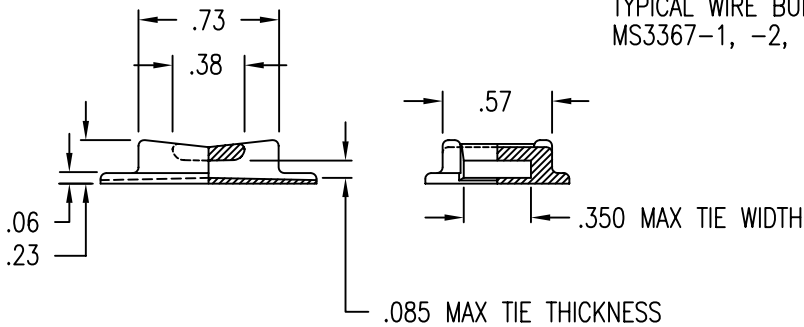


MOUNT ATTACHED BY MEANS OF ADHESIVE APPLIED TO THIS SURFACE.

DISPOSABLE PRESSURE SENSITIVE ADHESIVE FIXTURE HOLDS MOUNT WHILE ADHESIVE CURES.

TYPICAL WIRE BUNDLE MOUNTING FOR USE WITH MS3367-1, -2, -3, -4, -5, -6, AND -7 CABLE TIE STRAPS.



MATERIAL DATA

| CODE | MATERIAL SPEC | FINISH |
|------|----------------------------|----------------|
| V | GLASS/THERMOPLASTIC, 350°F | ABRASIVE CLEAN |

PART WEIGHT: .37 LBS/100

EXAMPLE PART NUMBER

CB9151 V 5

REFERENCE SIZE
MATERIAL - GLASS/THERMOPLASTIC, 350°F
BASIC PART NUMBER

UNLESS OTHERWISE SPECIFIED, ALL DIMENSIONS ARE IN INCHES AND TOLERANCES ARE AS SHOWN BELOW. DIMENSIONAL TOLERANCES AND SYMBOLS PER ANSI Y14.5M-1982.

PROPRIETARY PARTS SHOWN IN THIS DRAWING ARE THE SUBJECT OF ISSUED UNITED STATES AND FOREIGN PATENTS AND PATENTS PENDING. UNAUTHORIZED REPRODUCTION AND/OR DISTRIBUTION OF THIS DRAWING IS SPECIFICALLY PROHIBITED.

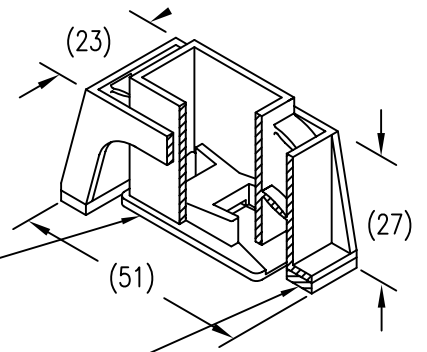
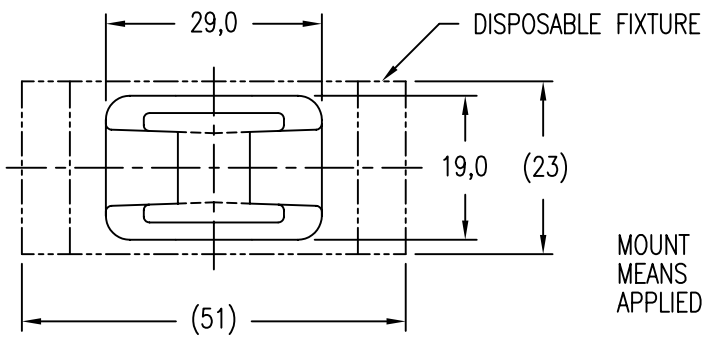
GLICK BOND

CARSON CITY
NEVADA 89706

CAD CB9151-1

| APPROVALS | | DATE |
|-----------|-----|---------|
| DRAWN | DAC | 20JUN98 |
| CHECKED | DAC | 20JUN98 |
| RELEASED | CGH | 20JUN98 |
| REVISED | DAC | 20JUN98 |

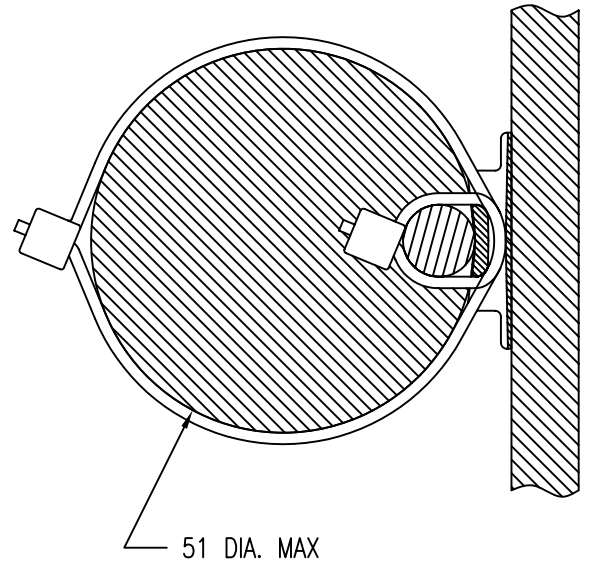
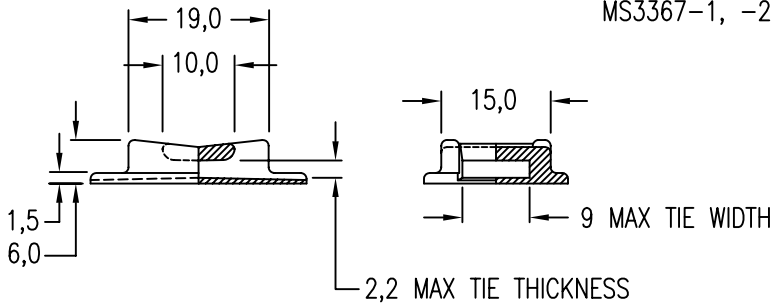
| TITLE | | | |
|--|-----------|----------|---------|
| MOUNT, CABLE TIE ANCHOR, TRANSVERSE BASE | | | |
| SIZE | CAGE CODE | DWG. NO. | REV. |
| A | 66530 | CB9151 | 1 |
| SCALE | 1/1 | | 20JUN98 |
| SHEET 1 OF 2 | | | |



MOUNT ATTACHED BY MEANS OF ADHESIVE APPLIED TO THIS SURFACE.

DISPOSABLE PRESSURE SENSITIVE ADHESIVE FIXTURE HOLDS MOUNT WHILE ADHESIVE CURES.

TYPICAL WIRE BUNDLE MOUNTING FOR USE WITH MS3367-1, -2, -3, -4, -5, -6, AND -7 CABLE TIE STRAPS.



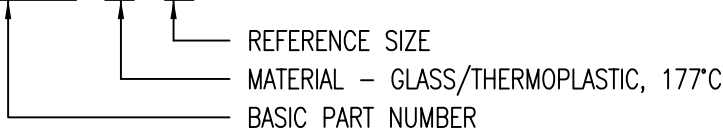
MATERIAL DATA

| CODE | MATERIAL SPEC | FINISH |
|------|----------------------------|----------------|
| V | GLASS/THERMOPLASTIC, 177°C | ABRASIVE CLEAN |

PART WEIGHT: 1,7 GRAMS

EXAMPLE PART NUMBER

CB9151 V 5



UNLESS OTHERWISE SPECIFIED, ALL DIMENSIONS ARE IN MILLIMETERS AND TOLERANCES ARE AS SHOWN BELOW. DIMENSIONAL TOLERANCES AND SYMBOLS PER ANSI Y14.5M-1982.

PROPRIETARY PARTS SHOWN IN THIS DRAWING ARE THE SUBJECT OF ISSUED UNITED STATES AND FOREIGN PATENTS AND PATENTS PENDING. UNAUTHORIZED REPRODUCTION AND/OR DISTRIBUTION OF THIS DRAWING IS SPECIFICALLY PROHIBITED.

GLICK BOND

CARSON CITY
NEVADA 89706

| | |
|-------------------|-------|
| CAD CB9151-2 | |
| METRIC DIMENSIONS | |
| ANGLES | ±1° |
| .X | ±0,8 |
| .XX | ±0,25 |

| APPROVALS | | DATE |
|-----------|-----|---------|
| DRAWN | DAC | 20JUN98 |
| CHECKED | DAC | 20JUN98 |
| RELEASED | CGH | 20JUN98 |
| REVISED | DAC | 20JUN98 |

| | | | |
|--|-----------|-----------------|--------------|
| TITLE | | | |
| MOUNT, CABLE TIE ANCHOR, TRANSVERSE BASE | | | |
| SIZE | CAGE CODE | DWG. NO. | REV. |
| A | 66530 | CB9151 (METRIC) | 1 |
| SCALE | 1/1 | 20JUN98 | SHEET 2 OF 2 |