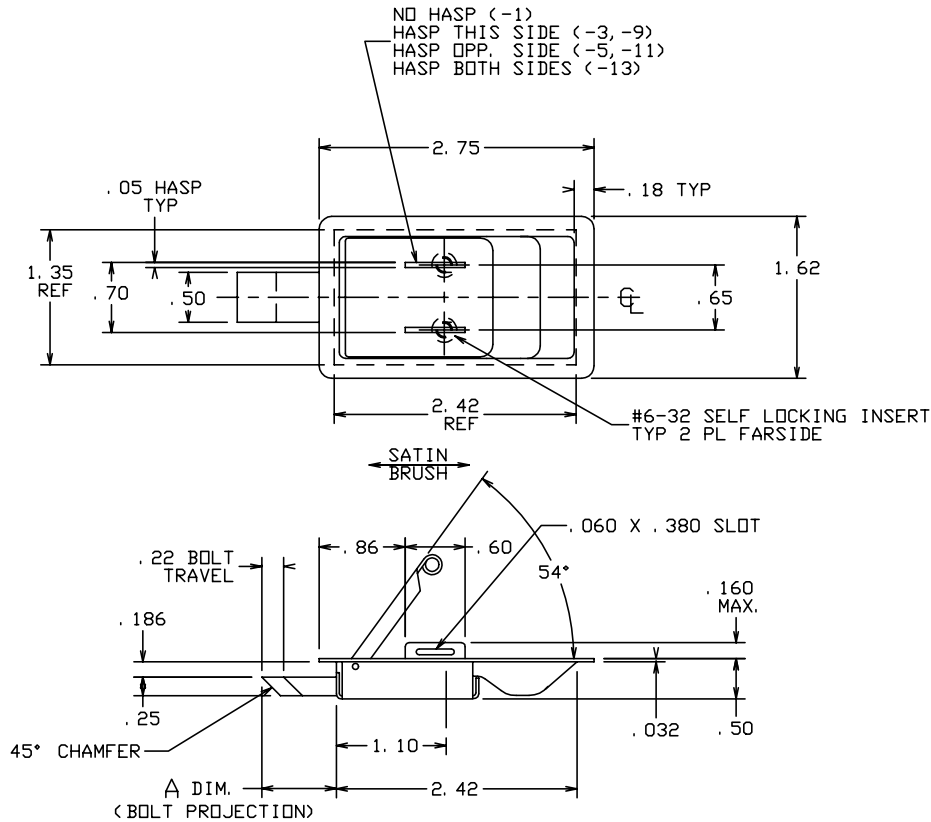


THE INFORMATION AND DESIGN HEREIN WAS ORIGINATED BY AND IS THE PROPERTY OF SKYLOCK INDUSTRIES INCORPORATED. SKYLOCK INDUSTRIES INCORPORATED RESERVES ALL PATENT, PROPRIETARY, DESIGN MANUFACTURING, REPRODUCTION, USE AND SALES RIGHTS THERE TO, AND TO ANY ARTICLE DISCLOSED THEREIN EXCEPT TO THE EXTENT RIGHTS ARE EXPRESSLY GRANTED TO OTHERS. THE FOREGOING DOES NOT APPLY TO VENDOR PROPRIETARY PARTS.

REVISIONS				
ZONE	LTR	DESCRIPTION	DATE	APPROVED
	D	REDRAWN	6-11-96	T. CSIK

NOTES: UNLESS OTHERWISE SPECIFIED.

- MAT'L: ALL COMP'S: 300 SERIES CRES.
- FINISH: PASSIVATE.
- DECORATIVE FINISH: SATIN BRUSH.
- NOMINAL LOAD POINT IS .250" FROM TIP OF BOLT. STATIC LOAD IS 600 LBS. MAX. AT NOMINAL LOAD POINT. LATCHES WITH BOLT PROJECTION LONGER THAN .37" REQUIRE REINFORCEMENT IN PANEL/DOOR EDGE TO SUPPORT BOLT LENGTH.
- SPRING TO HOLD FLAP OPEN WHEN BOLT IS NOT PROPERLY ENGAGED (-1, -3, -5). NO FLAP SPRING (-7, -9, -11, -13).



.59	-13	LATCH ASSY	
.59	-11	LATCH ASSY	
.59	-9	LATCH ASSY	
.59	-7	LATCH ASSY	
.81	-5	LATCH ASSY	
.81	-3	LATCH ASSY	
.81	-1	LATCH ASSY	
A DIM.	PART NO.	DESCRIPTION	

PARTS LIST					
UNLESS OTHERWISE SPECIFIED	DRAWN BY T. S.	10-20-87	SKYLOCK INDUSTRIES INCORPORATED MONROVIA CALIFORNIA U. S. A.		
DIMENSIONS ARE IN INCHES	CHECKED				
TOLERANCES ON	ENGINEER				
DECIMALS ANGLES DRILLED HOLES	PROJECT				
.X ± .1 ± 0° 30' AND 10387	APPROVAL D. SHORT	10-20-87	LATCH ASSEMBLY		
.XX ± .03	APPROVAL				
.XXX ± .010					
DO NOT SCALE THIS DRAWING					
MATERIAL - FINISH	USED ON	SIZE	CODE IDENT. NO.	DRAWING NO.	REV.
NEXT ASSY		C	51941	20607	D
FINAL ASSY		SCALE	1: 1	VT.	SHEET 1 OF 1