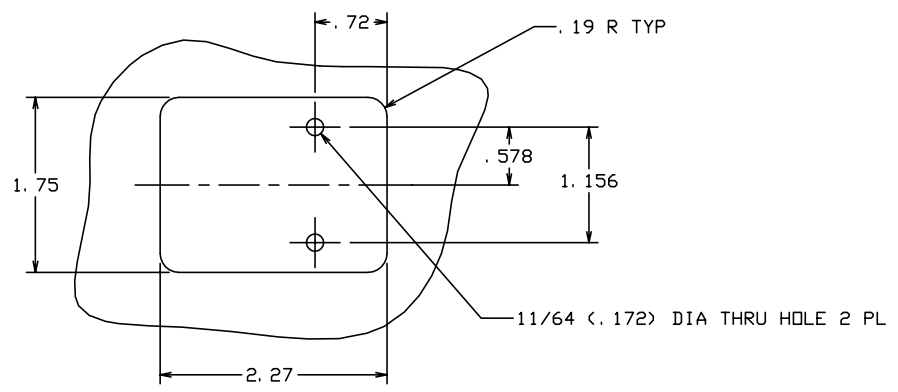
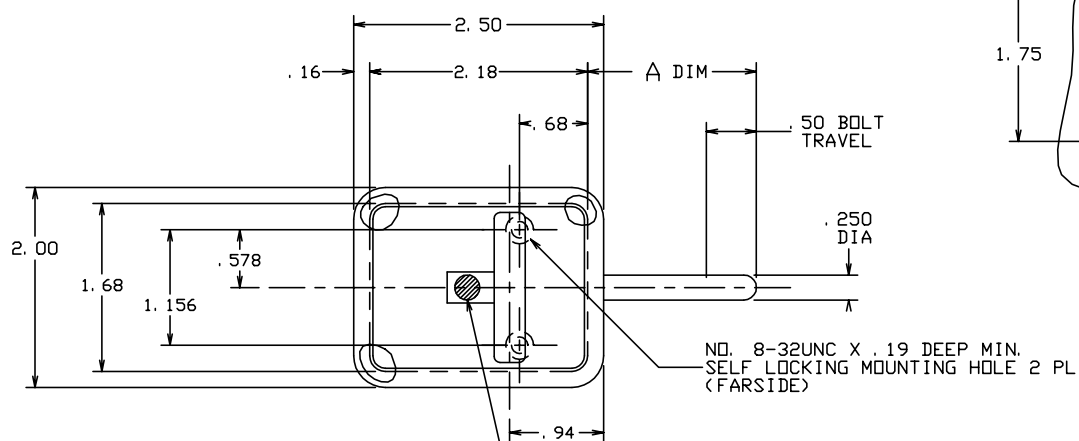


THE INFORMATION AND DESIGN HEREIN WAS ORIGINATED BY AND IS THE PROPERTY OF SKYLOCK INDUSTRIES INCORPORATED. SKYLOCK INDUSTRIES INCORPORATED RESERVES ALL PATENT, PROPRIETARY, DESIGN MANUFACTURING, REPRODUCTION, USE AND SALES RIGHTS THERE TO, AND TO ANY ARTICLE DISCLOSED THEREIN EXCEPT TO THE EXTENT RIGHTS ARE EXPRESSLY GRANTED TO OTHERS. THE FOREGOING DOES NOT APPLY TO VENDOR PROPRIETARY PARTS.

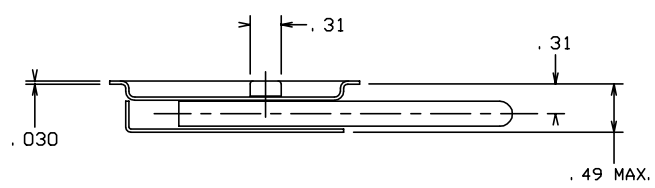
REVISIONS				
ZONE	LTR	DESCRIPTION	DATE	APPROVED
	NC	PRODUCTION RELEASE	2-16-95	T. C.
	A	REVISED DOOR CUTOUT INFO. TO AGREE WITH ACTUAL MOUNTING HOLE PATTERN	2-28-95	T. C.


- NOTES: UNLESS OTHERWISE SPECIFIED.
1. MAT'L: HANDLE; 6061-T6 ALUM. ALLOY, ALL OTHER COMPS; CRES.
 2. FINISH: CRES.; PASSIVATE, OR GLASS BEAD PEEN.
 3. DECORATIVE FINISH: SATIN BRUSH.
 4. BOLT IS DETENTED IN EXTENDED AND RETRACTED POSITION.



DOOR CUTOUT INFORMATION

GREEN DOT IS SHOWN WHEN BOLT IS EXTENDED
 RED DOT IS SHOWN WHEN BOLT IS NOT FULLY LATCHED



1. 69	-1	LATCH ASSY		
A DIM	PART NO.	DESCRIPTION	MATERIAL SIZE SPECIFICATION	ITEM NO.
PARTS LIST				
UNLESS OTHERWISE SPECIFIED		DRAWN BY T. CSIK	2-16-95	 SKYLOCK INDUSTRIES INCORPORATED MONROVIA CALIFORNIA U. S. A.
DIMENSIONS ARE IN INCHES		CHECKED		
TOLERANCES ON		ENGINEER		
DECIMALS ANGLES DRILLED HOLES		PROJECT		
.X ± .1 ± 0° 30' AND 10387		APPROVAL T. CSIK	2-16-95	LATCH ASSY - DETENTED
.XX ± .03		APPROVAL		
.XXX ± .010				
DO NOT SCALE THIS DRAWING				
MATERIAL - FINISH	USED ON	SIZE	CODE IDENT. NO.	DRAWING NO.
NEXT ASSY		C	51941	20841
FINAL ASSY		SCALE	1: 1	VT.
				SHEET 1 OF 1