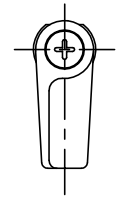


THE INFORMATION AND DESIGN HEREIN WAS ORIGINATED BY AND IS THE PROPERTY OF SKYLOCK INDUSTRIES INCORPORATED. SKYLOCK INDUSTRIES INCORPORATED RESERVES ALL PATENT, PROPRIETARY, DESIGN MANUFACTURING, REPRODUCTION, USE AND SALES RIGHTS THERE TO, AND TO ANY ARTICLE DISCLOSED THEREIN EXCEPT TO THE EXTENT RIGHTS ARE EXPRESSLY GRANTED TO OTHERS. THE FOREGOING DOES NOT APPLY TO VENDOR PROPRIETARY PARTS.

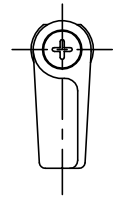
- NOTES: UNLESS OTHERWISE SPECIFIED.
1. REMOVE ALL BURRS AND BREAK SHARP EDGES.
  2. MAT'L: RETAINER; ALUM. ALLOY, ALL OTHER PARTS; 300 SERIES CRES.
  3. FINISH: ALUM.; ANODIZE, CRES PARTS; PASSIVATE.
  4. DECORATIVE FINISH: RETAINER; BRIGHT BUFF AND CANDY APPLE RED ANODIZE.
  5. THIS DWG IS SIMILAR TO 20199 EXCEPT OFFSET RIB.
  6. DETENTED EVERY 90° OF ROTATION.
  7. STATIC LOAD: 800 LBS. MAX.

⚠ WHEN ORDERING PLEASE SPECIFY 20746--L OR 20746--R TO DEFINE RIB LOCATION AS SHOWN AT VIEW A

REVISIONS				
ZONE	LTR	DESCRIPTION	DATE	APPROVED
	NC	PRODUCTION RELEASE	12-17-91	T. CSIK
	A	ADDED -5/-6	2-28-92	T. CSIK
	B	ADDED NOTE B & VIEW A REMOVED SHOWN AND DPP. FROM P/L	3-18-92	T. CSIK

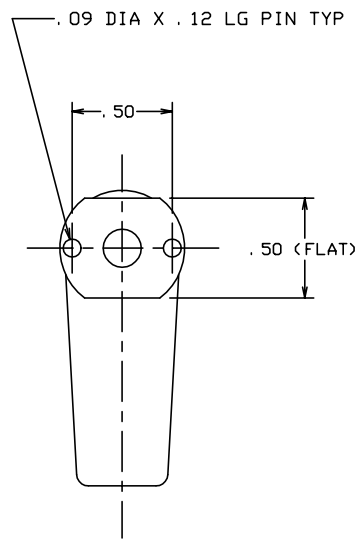
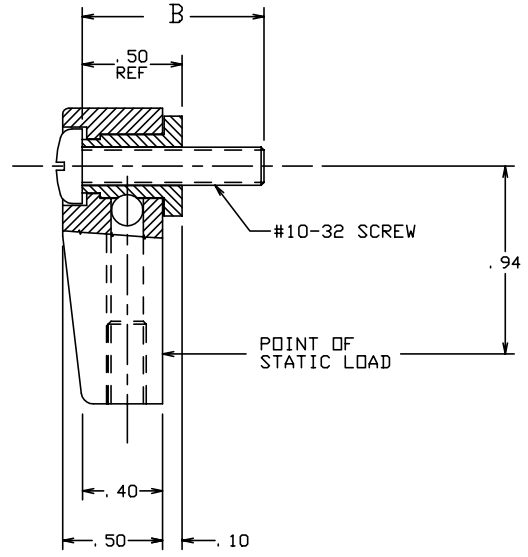
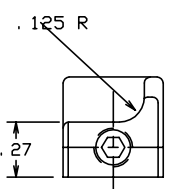
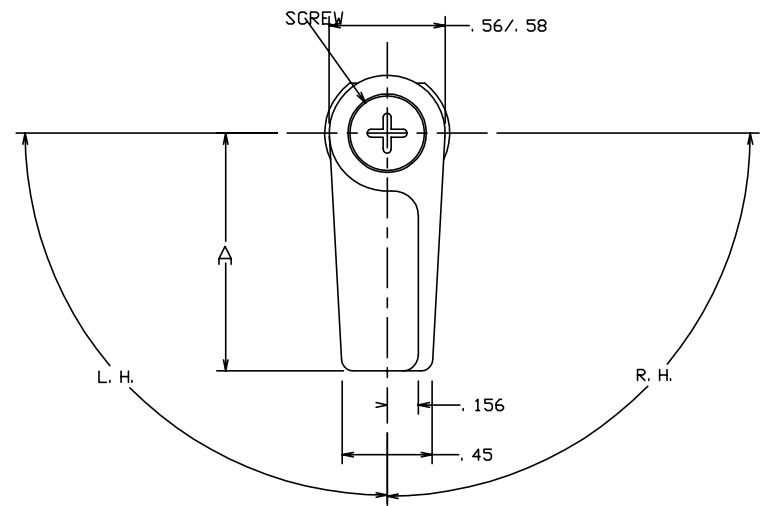


20746--L



20746--R

VIEW A  
(SCALE: 1/2)



⚠	.94	2.50		-6	RETAINER	90° R. H. ROTATION		
⚠	.94	2.50		-5	RETAINER	90° L. H. ROTATION		
⚠	.94	2.00		-4	RETAINER	90° R. H. ROTATION		
⚠	.94	2.00		-3	RETAINER	90° L. H. ROTATION		
⚠	.94	1.19		-2	RETAINER	90° R. H. ROTATION		
⚠	.94	1.19		-1	RETAINER	90° L. H. ROTATION		
⚠	B DIM	A DIM	QTY REQD	PART NO.	DESCRIPTION	MATERIAL	SIZE SPECIFICATION	ITEM NO.

PARTS LIST			
UNLESS OTHERWISE SPECIFIED	DRAWN BY	T. CSIK	12-17-91
DIMENSIONS ARE IN INCHES	CHECKED		
TOLERANCES ON	ENGINEER		
DECIMALS ANGLES DRILLED HOLES	PROJECT		
.X ± .1 ± 0° 30' AND 10387	APPROVAL	T. CSIK	12-17-91
.XX ± .03	APPROVAL		
.XXX ± .010			
DO NOT SCALE THIS DRAWING			
MATERIAL - FINISH	USED ON	SIZE	CODE IDENT. NO. DRAWING NO. REV.
NEXT ASSY		C	51941 20746 B
FINAL ASSY		SCALE	2:1 WT. SHEET 1 OF 1

SKYLOCK INDUSTRIES INCORPORATED  
MONROVIA CALIFORNIA U. S. A.

1/4 TURN RETAINER