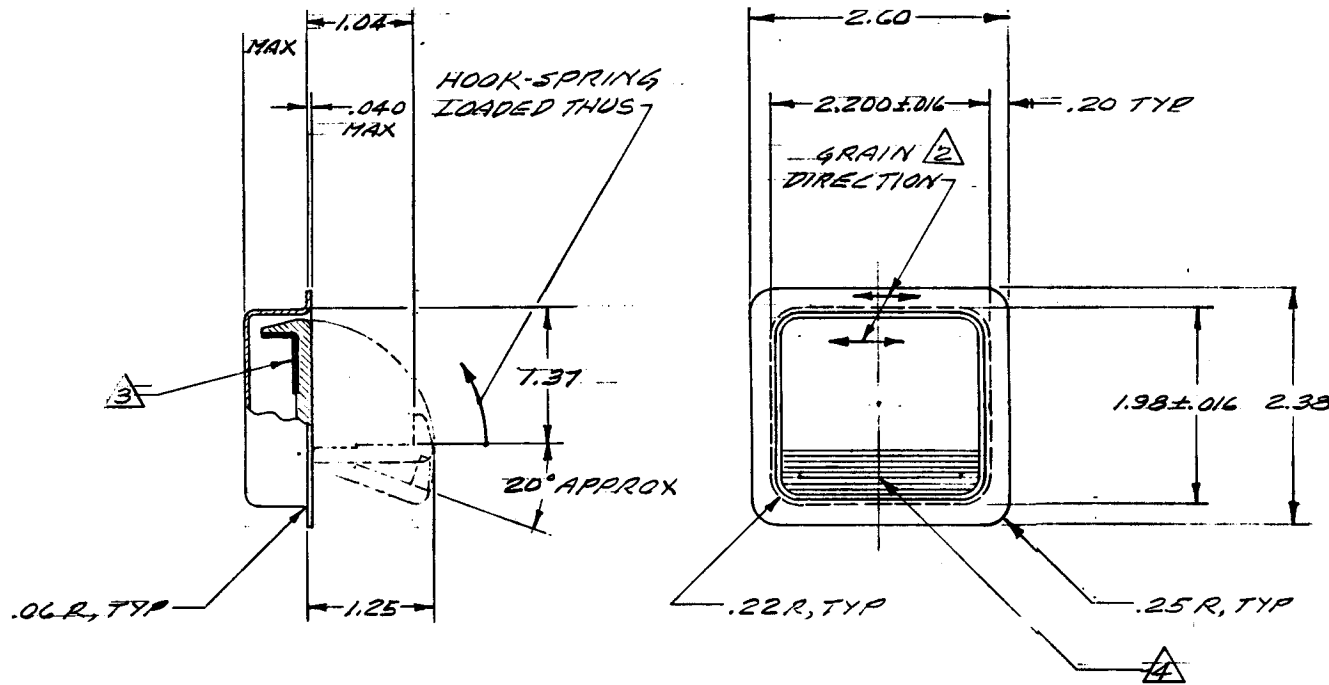


REVISIONS			
SYM	DESCRIPTION	DATE	BY
	EFFECTIVE ON	DISP EXIST PARTS	APPROVAL



- △ OPERATION: TO EXTEND HOOK PUSH ON SERRATED AREA.
 - △ RUBBER PAD FOR DOOR PROTECTION.
 - △ DECORATIVE FINISH: SATIN BUFF IN AREA INDICATED, CLEAR ANODIZE EXCEPT WHEN OTHERWISE SPECIFIED ON ORDER.
 - △ MATL: HOUSING AND HOOK; ALUM ALLOY. SPRING; CRES, PAD NEOPRENE RUBBER.
- NOTES: UNLESS OTHERWISE SPECIFIED.

-1 DOOR CATCH		MATERIAL OR NOTE	
RECD	DESCRIPTION	LIST OF MATERIAL	
		UNLESS OTHERWISE NOTED DIMENSIONS ARE IN INCHES. TOLERANCES ON: DECIMALS .XX ± .03 XXX ± .010 ANGLES ± 0°-30' DRILLED HOLES PER AND10387	
		CONTRACT NO.	SKYLOCK INDUSTRIES, INC. BALDWIN PARK, CALIFORNIA
		DRAFTSMAN <i>G.E.R.</i>	12-74
		CHECKER	
		ENGINEER	DOOR CATCH ASSY
		PROD. APPD	
		APPROVAL <i>[Signature]</i>	SIZE CODE IDENT NO.
			C 51941 20131
NEXT ASSY	USED ON	SCALE 1/1	WT CALC WT ACT SHEET 1 OF 1
APPLICATION			