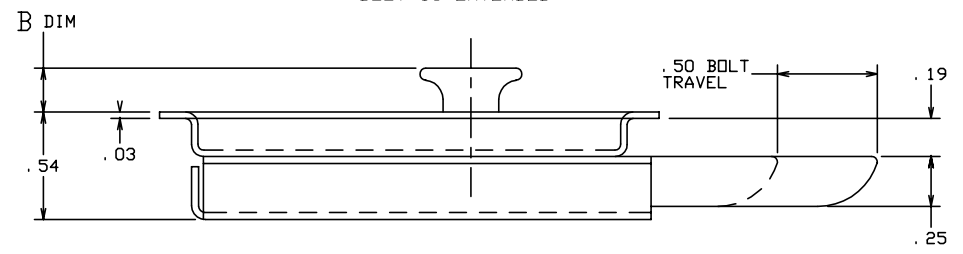
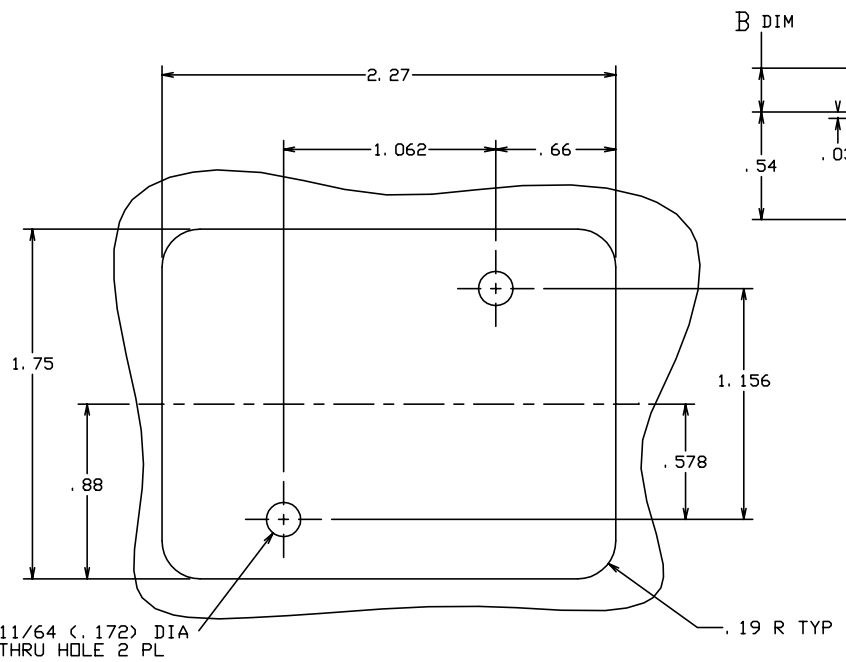
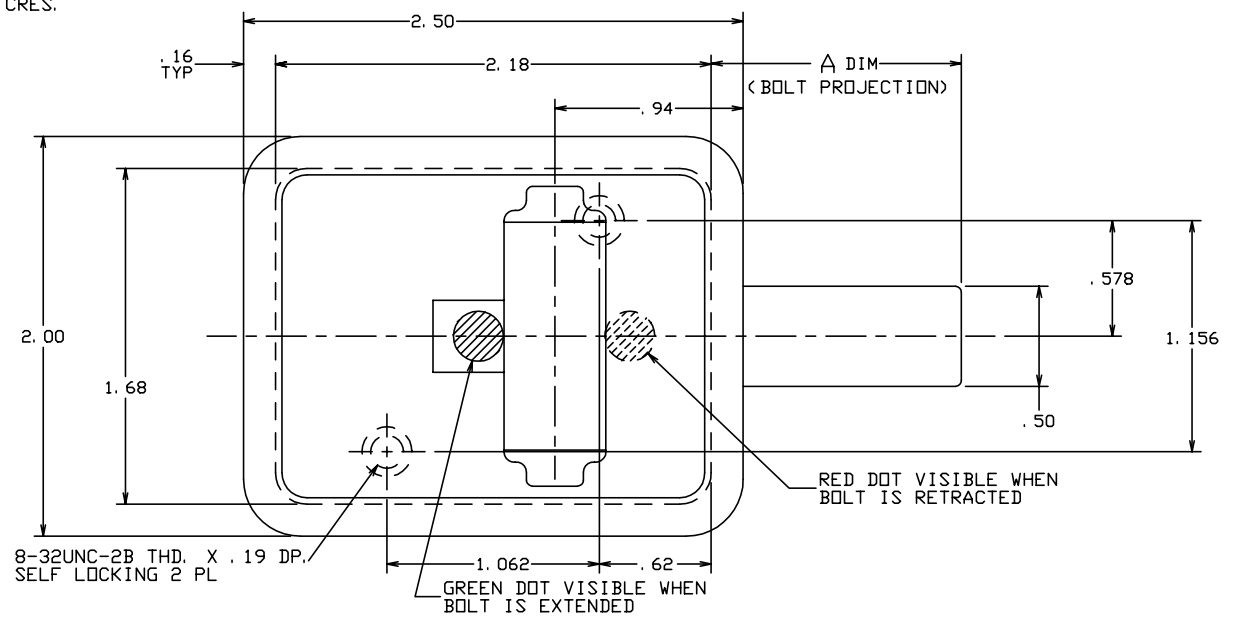


THE INFORMATION AND DESIGN HEREIN WAS ORIGINATED BY AND IS THE PROPERTY OF SKYLOCK INDUSTRIES INCORPORATED. SKYLOCK INDUSTRIES INCORPORATED RESERVES ALL PATENT, PROPRIETARY, DESIGN MANUFACTURING, REPRODUCTION, USE AND SALES RIGHTS THERE TO, AND TO ANY ARTICLE DISCLOSED THEREIN EXCEPT TO THE EXTENT RIGHTS ARE EXPRESSLY GRANTED TO OTHERS. THE FOREGOING DOES NOT APPLY TO VENDOR PROPRIETARY PARTS.

REVISIONS				
ZONE	LTR	DESCRIPTION	DATE	APPROVED
	NC	PRODUCTION RELEASE	9-18-91	T. CSIK
	A	DIM. .56 IS .62, .60 IS .66	10-26-92	T. CSIK
	B	ADDED -5	4-23-93	T. CSIK

- NOTES: UNLESS OTHERWISE SPECIFIED.
1. REMOVE ALL BURRS AND BREAK SHARP EDGES.
 2. MAT'L: HANDLE; ALUM. ALLOY, ALL OTHER PARTS; 300 SERIES CRES.
 3. FINISH: HANDLE; NONE, CRES PARTS; PASSIVATE.
 4. DECORATIVE FINISH: SATIN BUFF TOP FLANGE OF CASE, SAND BLAST PEEN BASE OF CASE.
 5. STATIC LOAD: 600 LBS. MAX.
 6. BOLT IS DETENTED IN EXTENDED AND RETRACTED POSITIONS.



B DIM	A DIM	PART NO.	DESCRIPTION	MATERIAL	SIZE	SPECIFICATION	ITEM NO.
.07	1.22	-5	LATCH ASSY				
.12	1.22	-3	LATCH ASSY				
.22	1.22	-1	LATCH ASSY				

PARTS LIST		DRAWN BY T. CSIK 9-18-91		SKYLOCK INDUSTRIES INCORPORATED MONROVIA CALIFORNIA U. S. A.									
UNLESS OTHERWISE SPECIFIED		CHECKED		<div style="text-align: center; font-size: 2em; font-weight: bold;">LATCH ASSEMBLY</div>									
DIMENSIONS ARE IN INCHES		ENGINEER											
TOLERANCES ON		PROJECT											
DECIMALS ANGLES DRILLED HOLES		APPROVAL T. CSIK 9-18-91											
.X ± .1 ± 0° 30' AND 10387		APPROVAL		<table border="1"> <tr> <td>SIZE</td> <td>CODE IDENT. NO.</td> <td>DRAWING NO.</td> <td>REV.</td> </tr> <tr> <td>C</td> <td>51941</td> <td>20730</td> <td>B</td> </tr> </table>		SIZE	CODE IDENT. NO.	DRAWING NO.	REV.	C	51941	20730	B
SIZE	CODE IDENT. NO.	DRAWING NO.	REV.										
C	51941	20730	B										
DO NOT SCALE THIS DRAWING		USED ON		SCALE 2:1									
MATERIAL - FINISH		NEXT ASSY		SHEET 1 OF 1									
FINAL ASSY													

DOOR CUTOUT INFORMATION