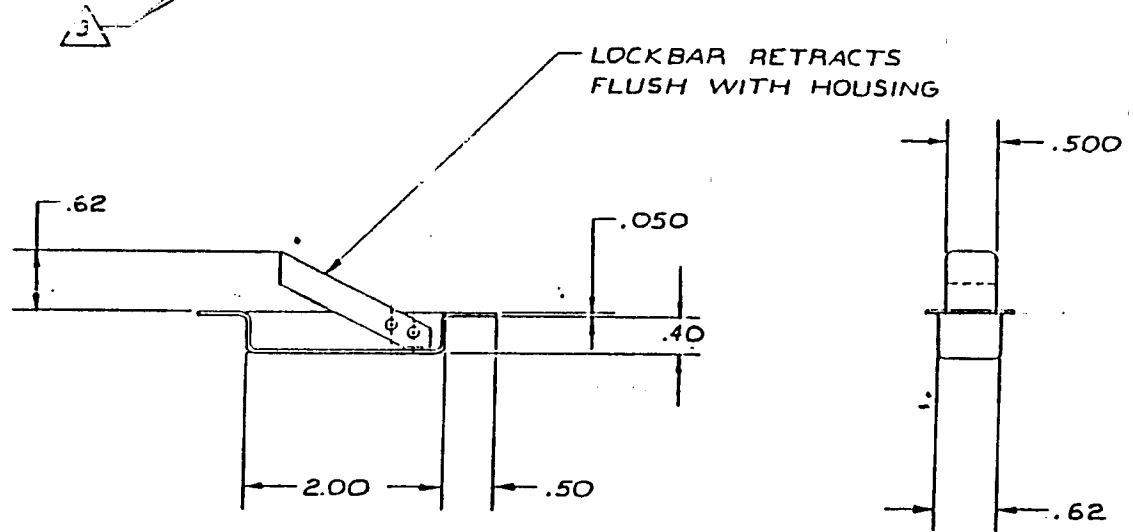
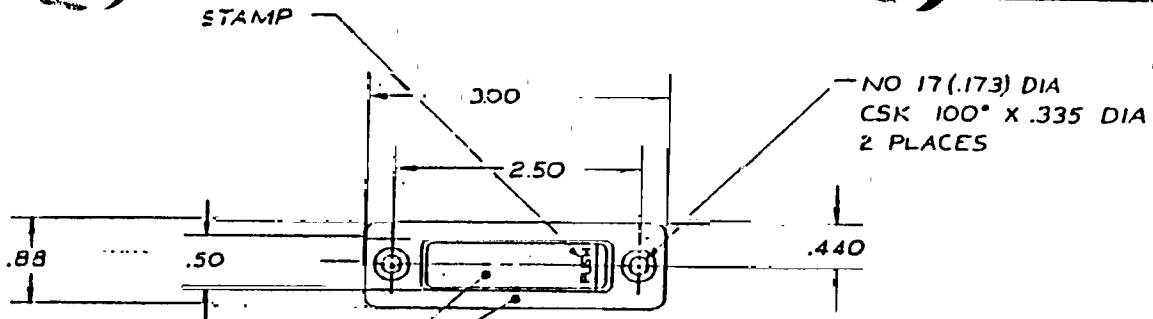


SYM	DESCRIPTION		BY APPROV
	EFFECTIVE ON	DISP EXIST PARTS	



-401	RETAINER	△ 1 △ 2
PART NUMBER	DESCRIPTION	MATERIAL OR NOTE

REDD		LIST OF MATERIAL	
UNLESS OTHERWISE NOTED DIMENSIONS ARE IN INCHES TOLERANCES ON DECIMALS XX = .03 XXX = .010 ANGLES ± 0° 30' DRILLED HOLES PER ANSI B92		CONTRACT NO.	SKYLOCK INDUSTRIES, INC. 50. EL MONTE, CALIFORNIA
SURFACE ROUGHNESS ✓		DRAFTSMAN JEE	RETAINER ASSEMBLY DETENTED
HEAT TREAT		CHECKER	
FINISH		ENGINEER AGG	SIZE CODE IDENT NO. C 51941 20234
INSPECT		PROD. APPD	
REF. NO.		APPROVAL [Signature]	SCALE 1/1 WT CALC WT ACT SHEET 1 OF 1

- 3 △ DECORATIVE FINISH: SATIN BRUSH
 - 2 △ FINISH: CLEAN & PASSIVATE
 - 1 △ MAT'L: ALL PARTS 300 SERIES CRES
- NOTES: UNLESS OTHERWISE SPECIFIED

NEXT ASSY	USED ON	APPLICATION

D
C
A
B

A