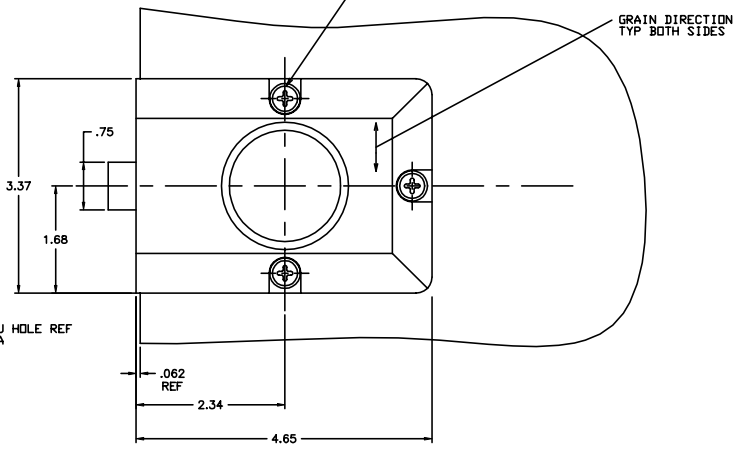
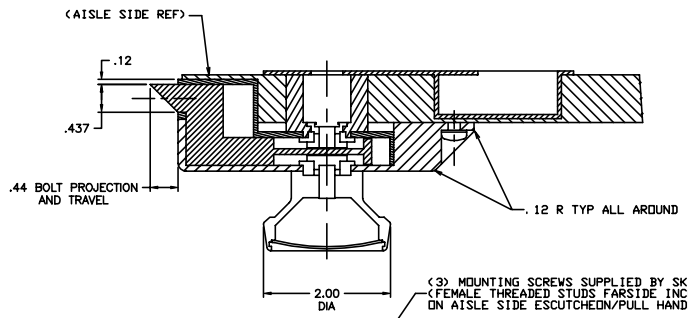
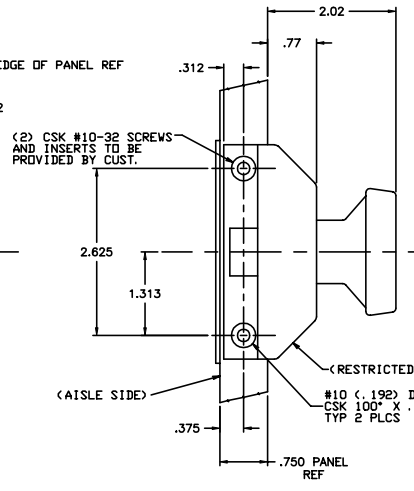
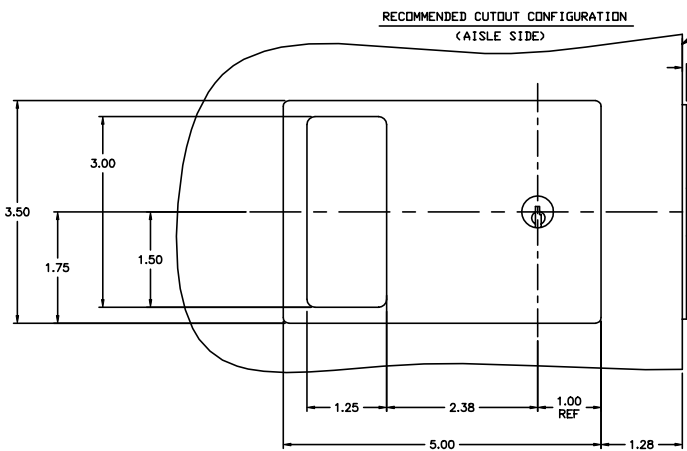
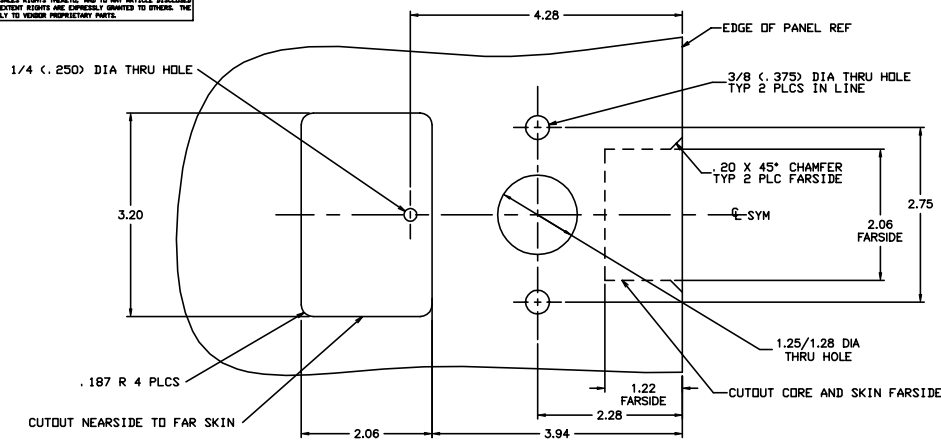


THE INFORMATION AND DESIGN HEREIN WAS ORIGINATED BY AND IS THE PROPERTY OF SKYLOCK INDUSTRIES INCORPORATED. SKYLOCK INDUSTRIES INCORPORATED RECEIVES ALL PATENT, PROPRIETARY, DESIGN MANUFACTURING INFORMATION, USE AND SALES RIGHTS HEREIN, AND TO ANY ARTICLE REPRODUCED THEREIN EXCEPT TO THE EXTENT RIGHTS ARE EXPRESSLY GRANTED TO OTHERS. THE FOREGOING DOES NOT APPLY TO NON-PROPRIETARY PARTS.

REVISIONS				
ZONE	LTR	DESCRIPTION	DATE	APPROVED
	NC	PRODUCTION RELEASE	4-17-92	T. CSIK
	A	ADDED -402 & -R (FOR REVERSE BEVEL)	8-26-92	T. CSIK
	B	ADDED SHT. 2, -403/-404	4-12-93	T. CSIK
	C	DN SHT. 2, REMOVED AISLE SIDE EMERG. ACCESS SLOT	5-2-93	T. CSIK
	D	REVISED NOTE 8, ADDING ANODIZE & PASSIVATE SPEC'S ADDED NOTE 5, 6	5-20-98	T. CSIK
	E	SEE ECN E	2/9/99	T. CSIK



8. PER FAR 45.15. PARTS WILL IDENTIFIED WITH:  
 1. FAA-PMA.  
 2. SKYLOCK IND. INC.  
 3. PART NO.  
 4. AIRCRAFT ELIGIBILITY.

7. REFER TO DRAWING 120756 FOR PARTS LIST AND ASSEMBLY INSTRUCTIONS. FOR SKYLOCK USE ONLY-CONTAINS CONFIDENTIAL INFORMATION.

6. TO ORDER LATCH WITH REVERSE BOLT BEVEL ADD SUFFIX '-R' TO PART NUMBER; EXAMPLE 20756-401-R.

5. USE WITH STRIKER NO. 20258.

4. OPERATION: T4619 KEY RETRACTS BOLT ON AISLE SIDE; KNOB RETRACTS BOLT ON RESTRICTED SIDE-ALWAYS OPERATIONAL; BOLT IS SPRING LOADED AND ALWAYS FREE TO LATCH.

3. DECORATIVE FINISH: REF. SATIN BRUSH, DIRECTION NOTED.

2. PROTECTIVE FINISH: REF. ALUM. CLEAR ANODIZE PER MIL-A-8625, TYPE II, CLASS 1, CRES; PASSIVATE PER QQ-P-35.

1. MAT'L REF: KNOB, ESCUTCHDN AND CASE; ALUM ALLOY, 6061-T6/T6S1 PER ASTM B-209, OR EQUIV. BUSHING & BOLT; NATURAL DELRIN PER ASTM D-4181, OR EQUIV. SPRINGS AND ALL OTHER CMPS; 303 CRES. COND. A, PER AMS-5640N, OR EQUIV.

NOTES: UNLESS OTHERWISE SPECIFIED

-401 DOOR LOCK (SHOWN)  
 -402 DOOR LOCK (OPP.)

ZONE	LTR	DESCRIPTION	DATE	APPROVED
		-404 DOOR LOCK	(OPP. -403)	120756-404
		-403 DOOR LOCK	(SHOWN, SEE SHT. 2)	120756-403
		-402 DOOR LOCK	(OPP. -401)	120756-402
		-401 DOOR LOCK	(SHOWN)	120756-401

ADM	BY	REV	DESCRIPTION	MATERIAL	SIZE	CODE	ENGR. NO.	DRAWING NO.	REV.
UNLESS OTHERWISE SPECIFIED									
DIMENSIONS ARE IN INCHES									
TOLERANCES UNLESS OTHERWISE SPECIFIED									
DECIMALS ANGLES DRILLED HOLES									
.0005 .001 .0015 .002 .003 .005 .010 .015 .030 .050 .100 .150 .300 .500 .750 1.000									
DO NOT SCALE THIS DRAWING									
MATERIAL - FINISH									
USED ON									
MANUFACTURED IN ACCORDANCE WITH SKYLOCK IND. INC. QUALITY CONTROL MANUAL QC-001									
SCALE 1:1									
SHEET 1 OF 2									

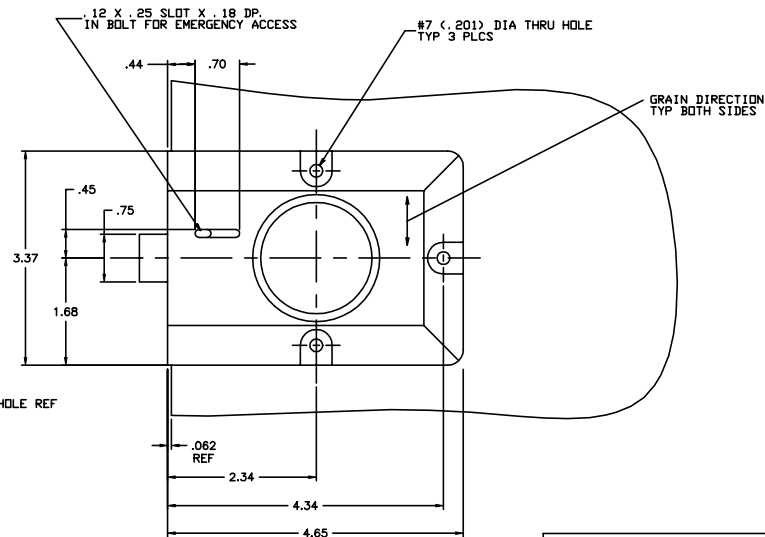
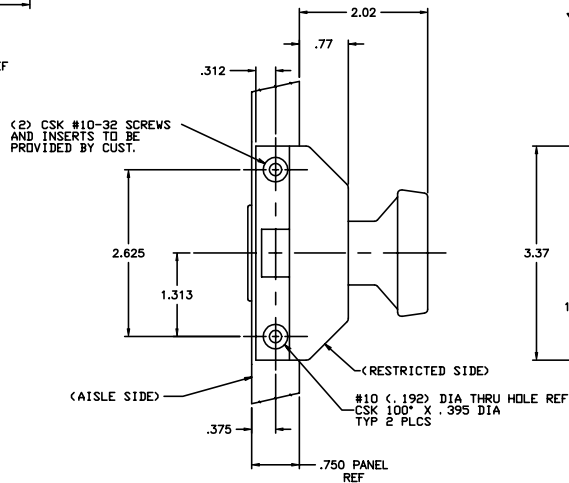
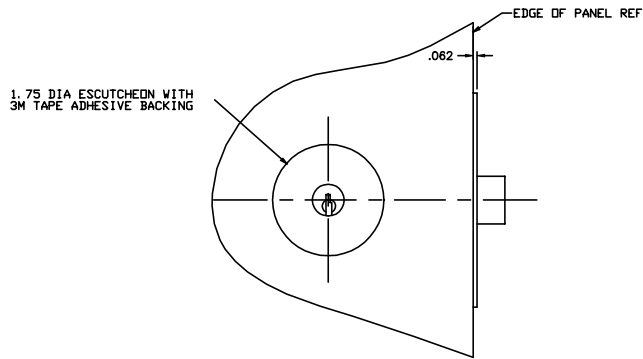
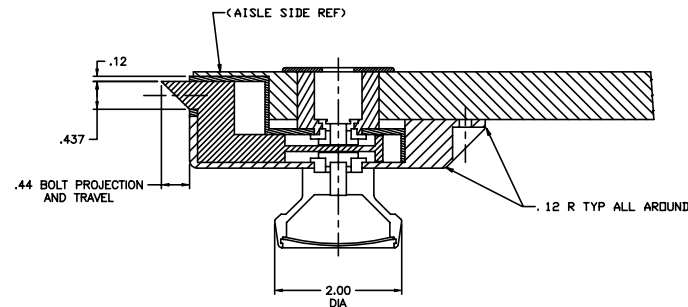
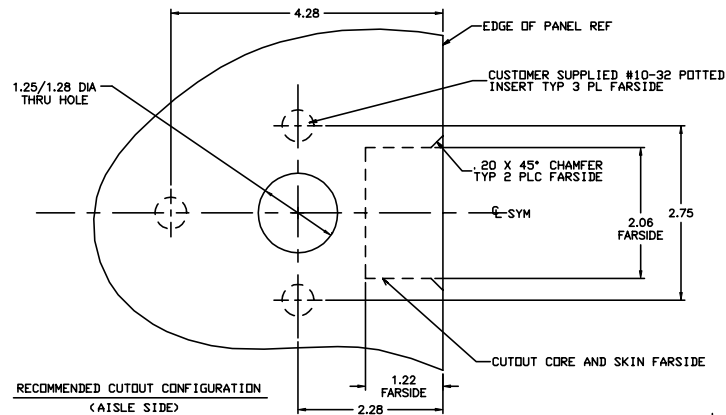


DOOR LOCK


SIZE D CODE ENGR. NO. 51941 DRAWING NO. 20756 REV. E

THE INFORMATION AND DESIGN HEREIN WAS ORIGINATED BY AND IS THE PROPERTY OF SOLIDEX INDUSTRIES INCORPORATED. SOLIDEX INDUSTRIES INCORPORATED RESERVES ALL PATENT, PROPRIETARY, DESIGN MANUFACTURING INFORMATION, USE AND SALES RIGHTS HEREIN, AND TO ANY ARTICLE DEVELOPED THEREIN EXCEPT TO THE EXTENT RIGHTS ARE EXPRESSLY GRANTED TO OTHERS. THE FOREGOING DOES NOT APPLY TO NON-PATENTABLE MATTER.

REVISIONS				
ZONE	LTR	DESCRIPTION	DATE	APPROVED
		SEE SHT. 1 FOR NOTES		



-403 DOOR LOCK (SHOWN)  
-404 DOOR LOCK (OPP.)

 SOLIDEX INDUSTRIES INCORPORATED IRVINE, CALIFORNIA			
DOOR LOCK			
SIZE	CODE IDENT. NO.	DRAWING NO.	REV.
D	51941	20756	E
SCALE	1:1	SHEET	2 OF 2