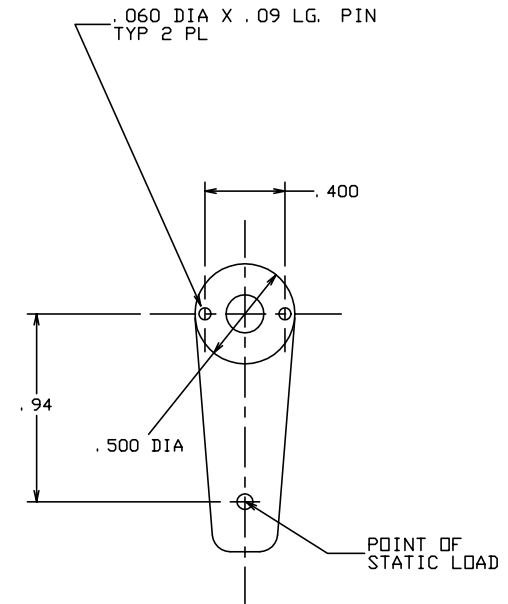
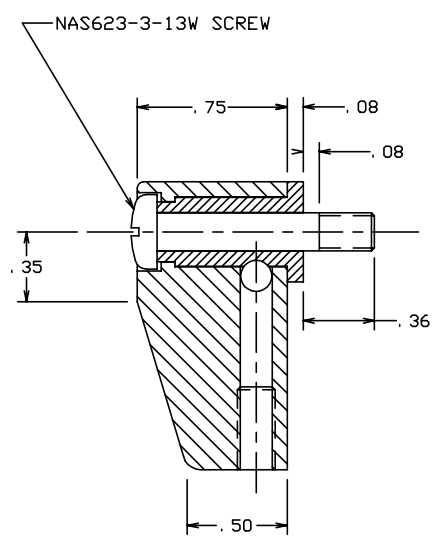
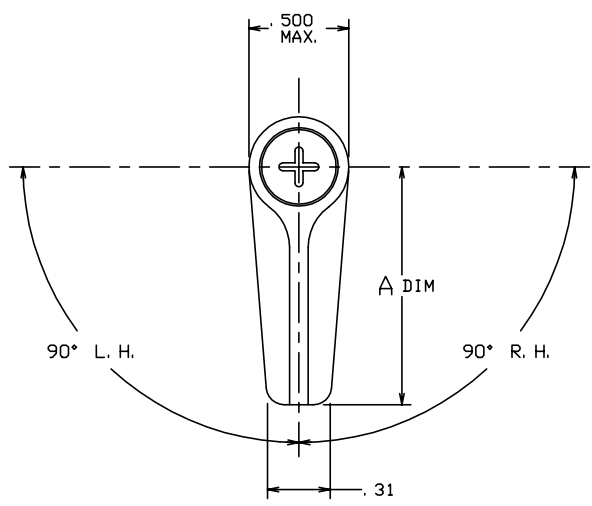


THE INFORMATION AND DESIGN HEREIN WAS ORIGINATED BY AND IS THE PROPERTY OF SKYLOCK INDUSTRIES INCORPORATED. SKYLOCK INDUSTRIES INCORPORATED RESERVES ALL PATENT, PROPRIETARY, DESIGN MANUFACTURING, REPRODUCTION, USE AND SALES RIGHTS THERE TO, AND TO ANY ARTICLE DISCLOSED THEREIN EXCEPT TO THE EXTENT RIGHTS ARE EXPRESSLY GRANTED TO OTHERS. THE FOREGOING DOES NOT APPLY TO VENDOR PROPRIETARY PARTS.

REVISIONS				
ZONE	LTR	DESCRIPTION	DATE	APPROVED
	NC	PRODUCTION RELEASE	8-23-91	T. CSIK
	A	REVISED AND REDRAWN	10-22-91	T. CSIK
	B	ADDED -5, -6	4-7-92	T. CSIK
	C	ADDED -7, -8	11-21-94	T. CSIK
	D	ADDED -9, -10	11-28-94	T. CSIK
	E	ADDED -11, -12	2-16-98	T. CSIK

- NOTES: UNLESS OTHERWISE SPECIFIED.
- REMOVE ALL BURRS AND BREAK SHARP EDGES.
  - MAT'L: TURN; ALUM. ALLOY, CAM; 300 SERIES CRES.
  - FINISH: TURN; ANODIZE, CRES; CLEAN AND PASSIVATE.
  - STATIC LOAD: 600 LBS. MAX.
- 5 DECORATIVE FINISH: SATIN BRUSH AND CLEAR ANODIZE.
- 6 DECORATIVE FINISH: BRIGHT BUFF AND CANDY APPLE RED ANODIZE.
- 7 ROTATION: 90° LEFT HAND, DETENTED EVERY 90°.
- 8 ROTATION: 90° RIGHT HAND, DETENTED EVERY 90°.



1.50	-8	RETAINER	8 5	
1.50	-7	RETAINER	7 5	
3.00	-6	RETAINER	8 5	
3.00	-5	RETAINER	7 5	
1.19	-4	RETAINER	8 6	
1.19	-3	RETAINER	7 6	
1.19	-2	RETAINER	8 5	
1.19	-1	RETAINER	7 5	

A DIM	PART NO.	DESCRIPTION	MATERIAL	SIZE	SPECIFICATION	ITEM NO.
PARTS LIST						
UNLESS OTHERWISE SPECIFIED			DRAWN BY T. CSIK 8-23-91			
DIMENSIONS ARE IN INCHES			CHECKED			
TOLERANCES ON			ENGINEER			
DECIMALS ANGLES DRILLED HOLES			PROJECT			
.X ± .1 ± 0° 30' AND 10387			APPROVAL T. CSIK 8-23-91			
.XXX ± .010			APPROVAL			
DO NOT SCALE THIS DRAWING			MATERIAL - FINISH USED ON			
NEXT ASSY			SIZE CODE IDENT. NO. DRAWING NO. REV.			
FINAL ASSY			C 51941 20723 E			
			SCALE 2:1 WT. SHEET 1 OF 1			

2.75	-12	RETAINER	8 5
2.75	-11	RETAINER	7 5
1.62	-10	RETAINER	8 5
1.62	-9	RETAINER	7 5
A DIM	PART NO.	DESCRIPTION	MATERIAL SIZE SPECIFICATION

SKYLOCK INDUSTRIES INCORPORATED  
MONROVIA CALIFORNIA U. S. A.

1/4 TURN RETAINER