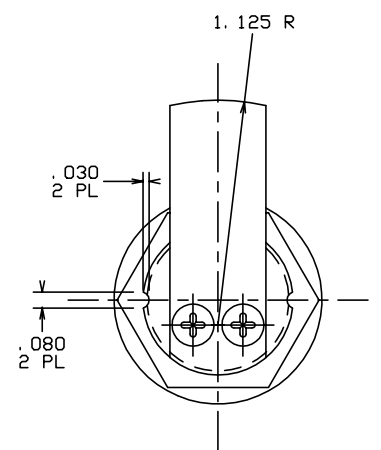
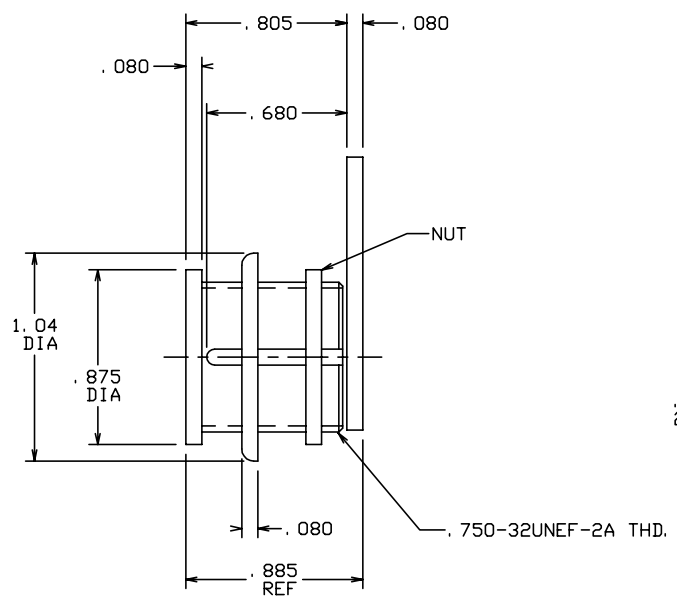
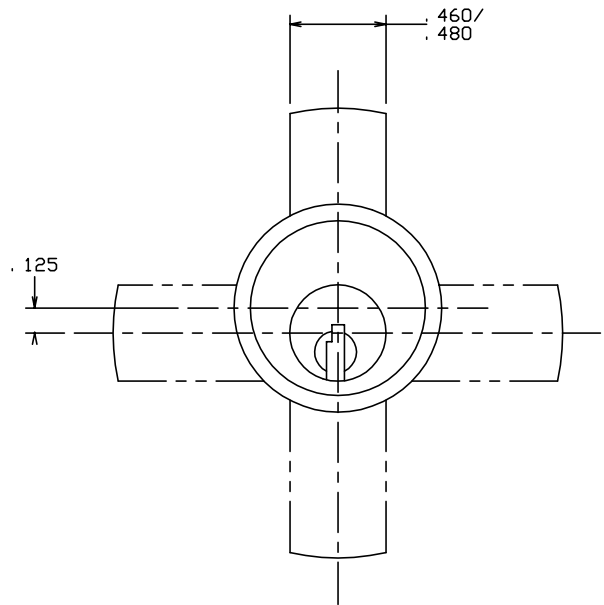



THE INFORMATION AND DESIGN HEREIN WAS ORIGINATED BY AND IS THE PROPERTY OF SKYLOCK INDUSTRIES INCORPORATED. SKYLOCK INDUSTRIES INCORPORATED RESERVES ALL PATENT, PROPRIETARY, DESIGN MANUFACTURING, REPRODUCTION, USE AND SALES RIGHTS THERE TO, AND TO ANY ARTICLE DISCLOSED THEREIN EXCEPT TO THE EXTENT RIGHTS ARE EXPRESSLY GRANTED TO OTHERS. THE FOREGOING DOES NOT APPLY TO VENDOR PROPRIETARY PARTS.

REVISIONS				
ZONE	LTR	DESCRIPTION	DATE	APPROVED
	A	REDRAWN	6-12-96	T. C.

- NOTES: UNLESS OTHERWISE SPECIFIED.
- MAT'L: CYLINDER, PLUG, PIN & TRIM RING; BRASS, CAM; 303 CRES.
 - ROTATION 360°, KEY REMOVABLE IN LOCKED POSITION ONLY.
 - FINISH: CYLINDER FACE, TRIM RING; BRIGHT CHROME, CRES PARTS; PASSIVATE.
 - KEYING COMPLIES WITH T4619 KEY. 2 KEYS FURNISHED PER ASSY.



-401		CYLINDER ASSY			
QTY REQD	PART NO.	DESCRIPTION	MATERIAL	SIZE	SPECIFICATION
PARTS LIST					
UNLESS OTHERWISE SPECIFIED		DRAWN BY	T. S.	10-25-87	 SKYLOCK INDUSTRIES INCORPORATED MONROVIA CALIFORNIA U. S. A.
DIMENSIONS ARE IN INCHES		CHECKED			
TOLERANCES ON		ENGINEER			
DECIMALS ANGLES DRILLED HOLES		PROJECT			
.X ± .1 ± 0° 30' AND 10387		APPROVAL	D. SHORT	10-25-87	CYLINDER ASSY
.XX ± .03					
.XXX ± .010					
DO NOT SCALE THIS DRAWING		APPROVAL			
MATERIAL - FINISH	USED ON	SIZE	CODE IDENT. NO.	DRAWING NO.	REV.
NEXT ASSY		C	51941	20606	A
FINAL ASSY		SCALE	2: 1	WT.	SHEET 1 OF 1