
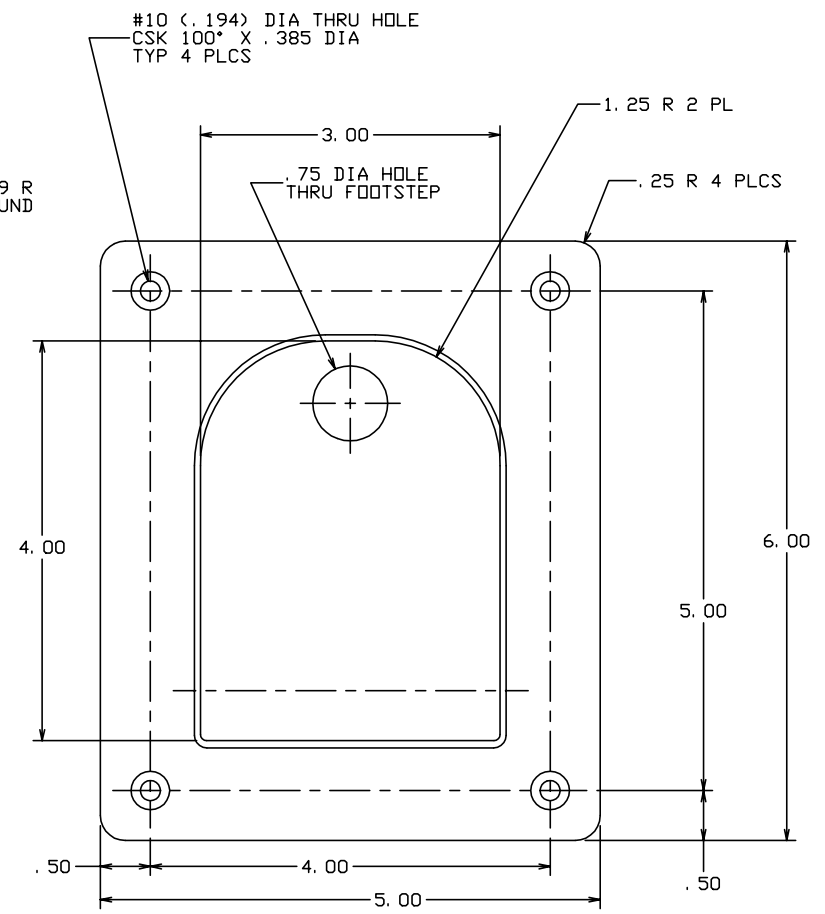
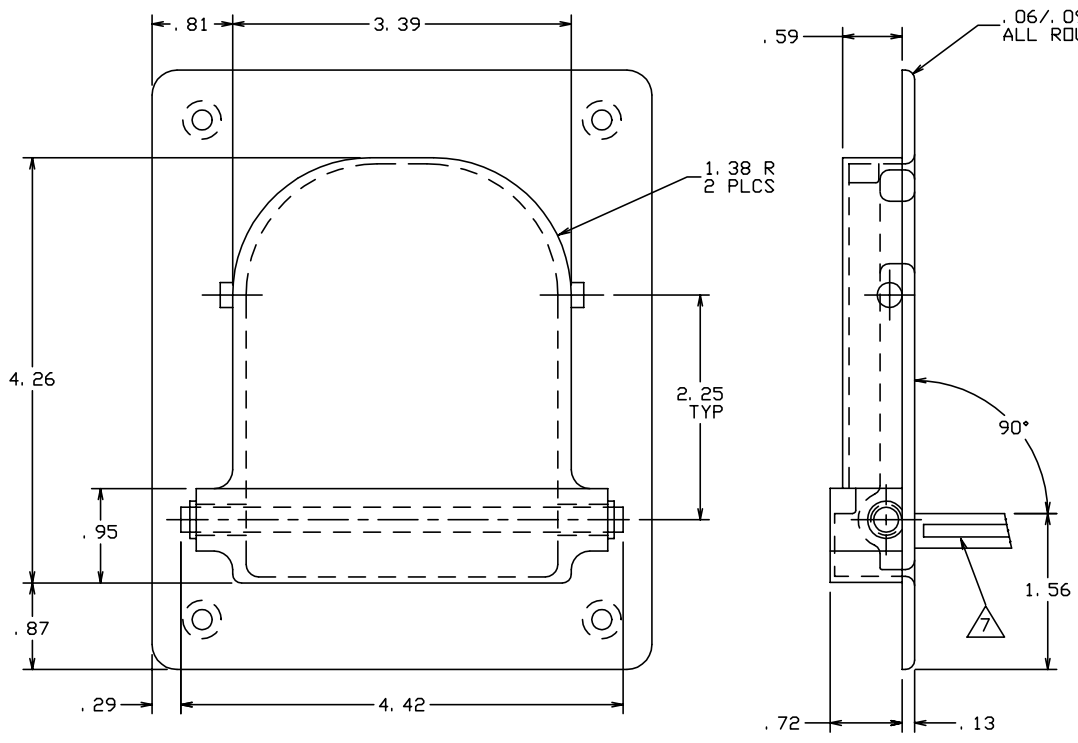



THE INFORMATION AND DESIGN HEREIN WAS ORIGINATED BY AND IS THE PROPERTY OF SKYLOCK INDUSTRIES INCORPORATED. SKYLOCK INDUSTRIES INCORPORATED RESERVES ALL PATENT, PROPRIETARY, DESIGN MANUFACTURING, REPRODUCTION, USE AND SALES RIGHTS THERE TO, AND TO ANY ARTICLE DISCLOSED THEREIN EXCEPT TO THE EXTENT RIGHTS ARE EXPRESSLY GRANTED TO OTHERS. THE FOREGOING DOES NOT APPLY TO VENDOR PROPRIETARY PARTS.

REVISIONS				
ZONE	LTR	DESCRIPTION	DATE	APPROVED
	NC	PRODUCTION RELEASE	10-28-93	T. CSIK
	A	REVISED PER FIRST ARTICLE REVIEW	11-11-93	T. CSIK

- NOTES: UNLESS OTHERWISE SPECIFIED.
- REMOVE ALL BURRS AND BREAK SHARP EDGES.
 - MAT'L: FOOTSTEP AND HOUSING - ALUM. ALLOY, HINGE PIN AND RETAINING RINGS - ST. STL.
 - DECORATIVE FINISH: SATIN BUFF AND CLEAR ANODIZE.
 - FOOTSTEP IS DETENTED IN THE CLOSED POSITION.
 - NON-SKID TAPE IS APPLIED TO THE FUNCTIONAL SURFACE OF THE FOOTSTEP.
 - STATIC LOAD: 300 LBS. MAX. DOWN LOAD AT 2.00" OFFSET FROM C.L. OF HINGE PIN.
-  RED PAINTED GROOVE BOTH SIDES AND END OF FOOTSTEP.



		-401	FOOTSTEP ASSY		
QTY REQD	PART NO.	DESCRIPTION	MATERIAL SIZE SPECIFICATION		ITEM NO.
PARTS LIST					
UNLESS OTHERWISE SPECIFIED		DRAWN BY	T. CSIK	10-28-93	 SKYLOCK INDUSTRIES INCORPORATED MONROVIA CALIFORNIA U. S. A.
DIMENSIONS ARE IN INCHES		CHECKED			
TOLERANCES ON		ENGINEER			
DECIMALS ANGLES DRILLED HOLES		PROJECT			
.X ± .1 ± 0° 30' AND 10387		APPROVAL	T. CSIK	10-28-93	FOOTSTEP ASSY
.XXX* .010		APPROVAL			
DO NOT SCALE THIS DRAWING					
MATERIAL - FINISH		USED ON	SIZE	CODE IDENT. NO.	DRAWING NO.
NEXT ASSY			C	51941	20872
FINAL ASSY			SCALE	1:2	WT.
				SHEET	1 OF 1