

THE INFORMATION AND DESIGN HEREIN WAS ORIGINATED BY AND IS THE PROPERTY OF SKYLARK INDUSTRIES INCORPORATED. SKYLARK INDUSTRIES INCORPORATED RECEIVES ALL PATENT, PROPRIETARY, DESIGN MANUFACTURING INFORMATION, USE AND SALES RIGHTS HEREIN, AND TO ANY ARTICLES DEVELOPED THEREIN EXCEPT TO THE EXTENT RIGHTS ARE EXPRESSLY GRANTED TO OTHERS. THE FOREGOING DOES NOT APPLY TO NON-PATENTABLE PARTS.

NOTES: UNLESS OTHERWISE SPECIFIED.

1. REFERENCE MAT'L: KNOB, HANDLE, ESCUTCHEONS AND CASE; ALUM. ALLOY PER ASTM B-221 DR EQUIV., BUSHINGS AND BOLT; NYLON 6/6 DR EQUIV., SPRINGS AND ALL OTHER COMPS; CRES PER AMS-5640N DR EQUIV.
2. REFERENCE FINISH: ALUM. PARTS; CLEAR ANODIZE PER MIL-A-8625, TYPE II, CLASS 1 DR EQUIV. CRES PARTS; PASSIVATE PER QQ-P-35 DR EQUIV.

3. DECORATIVE FINISH: SATIN BRUSH.

4. OPERATION: TURN 'G' SIDE HANDLE OR 'R' SIDE KNOB TO RETRACT BOLT.

5. LATCH IS REPAIRABLE PER ATA 100.

6. TO ORDER LATCH WITH REVERSE BEVEL, ADD SUFFIX 'R' TO PART NO. AS SHOWN, EXAMPLE; 20251-R.

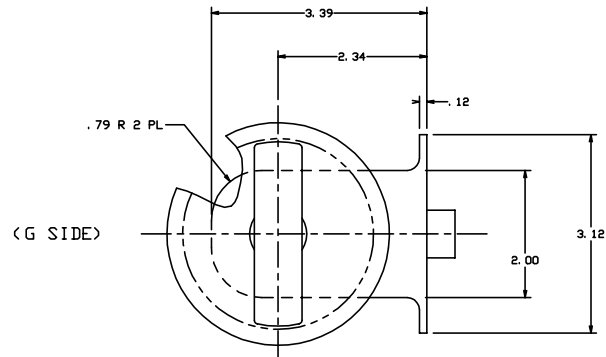
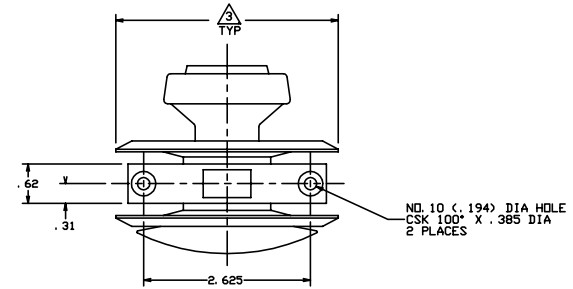
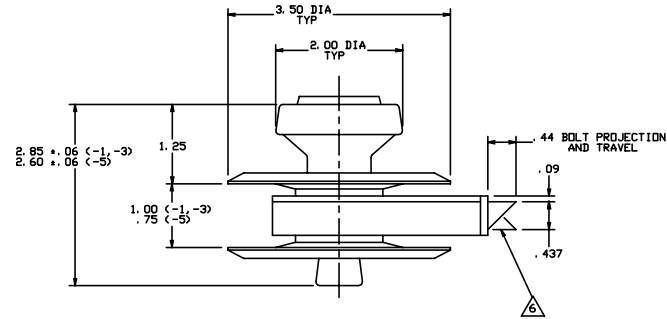
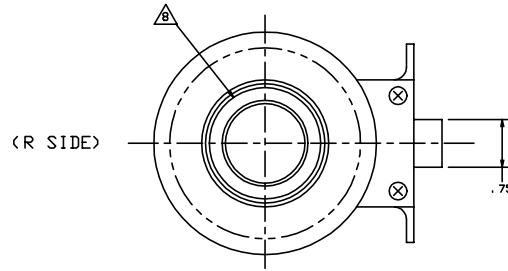
7. MAY BE USED WITH STRIKER NO. 20258.

8. PART HAS RUBBER BUMPER ON 'R' SIDE.

9. PER FAR45.15, PARTS WILL BE IDENTIFIED WITH:

1. FAA-PMA
2. SKYLARK IND. INC.
3. PART NO.
4. AIRCRAFT ELIGIBILITY.

REVISIONS				
ZONE	LTN	DESCRIPTION	DATE	APPROVED
	NC	PRODUCTION RELEASE	9-3-80	JEE
	A	DELETED NOTE 9.	5-91	S. C.
	B	REDRAWN, REVISED NOTE 9. IS 'R' SIDE WAS 'G' SIDE	6-21-91	T. C.
	C	ADDED -5	7-15-94	T. C.
	D	SEE ECN D	4-2-99	T. C.



-1, -3, -5 LATCH (SHOWN)

QTY REQD	PART NO.	DESCRIPTION	MATERIAL	SIZE	SPECIFICATION	NAME	FINISH
	-5	LATCH					
	-3	LATCH					
	-1	LATCH					

UNLESS OTHERWISE SPECIFIED		DRAWN BY	T. CSIK	9-10-91	 SKYLARK INDUSTRIES INCORPORATED REDNOVA CALIFORNIA
DIMENSIONS ARE IN INCHES		CHECKED			
TOLERANCES ON		DESIGNER			
DECIMALS	ANGLES	DILLED HOLES			
.005	± .005	± .005			
.005	± .005	± .005			
DO NOT SCALE THIS DRAWING		DATE			
MATERIAL - FINISH		USED ON			
NEXT ASBY		SIZE	D	CODE ECN. NO.	
MANUFACTURE IN ACCORDANCE WITH SKYLARK QUALITY CONTROL MANUAL DC. 001		DRAWING NO.	51941	20251	
SCALE		1:1	REV.	D	
SHEET		1	OF	1	