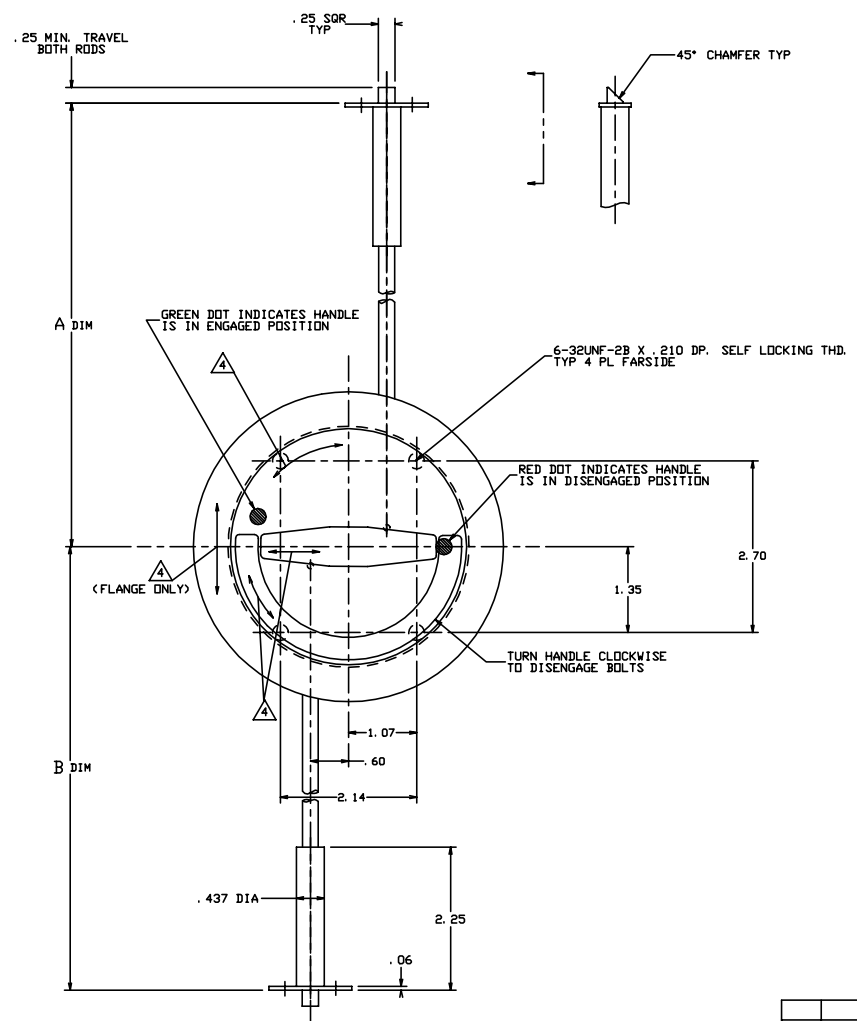


THE INFORMATION AND DESIGN HEREIN WAS ORIGINATED BY AND IS THE PROPERTY OF SOLIDIX INDUSTRIES INCORPORATED. SOLIDIX INDUSTRIES INCORPORATED RESERVES ALL PATENT, PROPRIETARY, DESIGN MANUFACTURING INFORMATION, USE AND SALES RIGHTS HEREIN, AND TO ANY ARTICLE REPRODUCED THEREIN EXCEPT TO THE EXTENT RIGHTS ARE EXPRESSLY GRANTED TO OTHERS. THE PROVISIONS DOES NOT APPLY TO NON-PATENTED PARTS.

- NOTES: UNLESS OTHERWISE SPECIFIED.
1. REMOVE ALL BURRS AND BREAK SHARP EDGES.
  2. MAT'L: \*D\* HANDLE AND TEE BAR, 6061-T6 ALUM. ALLOY, ALL OTHER PARTS, 300 SERIES CRES.
  3. FINISH: ALUM., CLEAR ANODIZE PER MIL-A-8625E. ST. STL.; CLEAN AND PASSIVATE.
  - △ DECORATIVE FINISH: HANDLE AND CUP ARE SATIN BRUSHED ON TOP SURFACES.
  5. BOLTING SYSTEM TO BE SPRING LOADED TO THE ENGAGED POSITION.
  - △ \*D\* HANDLE TO BE SPRING LOADED DOWN.



REVISIONS				
ZONE	LTR	DESCRIPTION	DATE	APPROVED
NC		PRODUCTION RELEASE	8-22-91	T. C.
A		REVISED BY T. CSIK, LUNDAUNG, REVISED BY T. CSIK, 9-26-91. REVISED BY T. CSIK, 9-27-91. REVISED BY T. CSIK.	9-26-91	T. C.

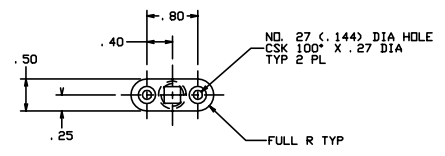
EXAMPLE:

A DIM. @ 10.0 INCHES  
B DIM. @ 10.0 INCHES

20721-401-100-100

FIRST DASH NO.	SECOND DASH NO.	THIRD DASH NO.
-402	FIRST TWO DIGITS (INCHES) THIRD DIGIT (TENTH IN.) A DIM.	FIRST TWO DIGITS (INCHES) THIRD DIGIT (TENTH IN.) B DIM.
-401	FIRST TWO DIGITS (INCHES) THIRD DIGIT (TENTH IN.) A DIM.	FIRST TWO DIGITS (INCHES) THIRD DIGIT (TENTH IN.) B DIM.

TABULATION BLOCK



SEE TABULATION BLOCK FOR ORDERING INFORMATION

	-402	BOLTING SYSTEM	<DPP. -401>	
	-401	BOLTING SYSTEM	<SHOWN>	
QTY REQD	PART NO.	DESCRIPTION	MATERIAL	SIZE SPECIFICATION
PARTS LIST				
UNLESS OTHERWISE SPECIFIED		DRAWN BY T. CSIK		9-13-91
DIMENSIONS ARE IN INCHES		CHECKED		
TOLERANCES ON		ENGINEER		
DECIMALS	ANGLES	DRILLED HOLES		
.0001	± 0° 30'	AND 100M		
.001	± 1° 00'			
.005	± 3° 00'			
DO NOT SCALE THIS DRAWING		APPROVAL T. CSIK		9-13-91
MATERIAL - FINISH	USED ON	SIZE	CODE IDENT. NO.	DRAWING NO.
		D	51941	20721
NEXT ASBY		SCALE	1:1	REV. A
FINAL ASBY				

**SOLIDIX INDUSTRIES INCORPORATED**  
MORNING HAVEN, CALIFORNIA

## 2 POINT DOOR BOLTING SYSTEM

SHEET 1 OF 1