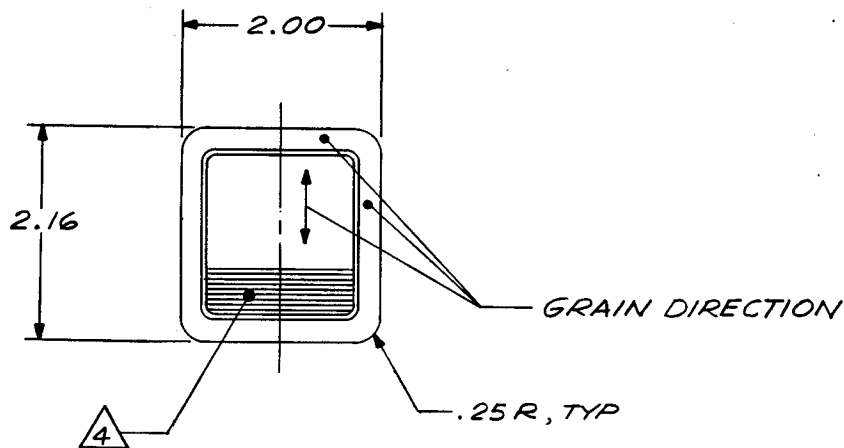
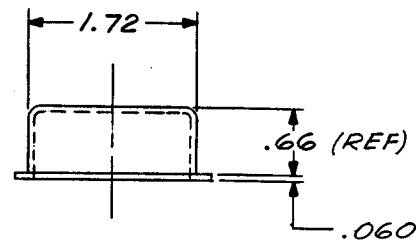
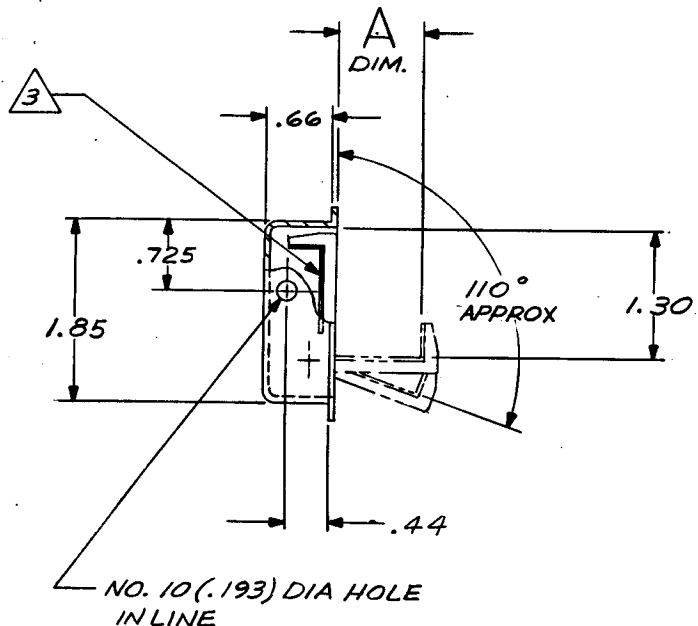


TABULATION

DASH NO	A DIM.
-1	.84
-3	.60

REVISIONS			
SYM	DESCRIPTION	DATE	BY
EFFECTIVE ON	DISP EXIST PARTS		APPROVAL



- 4 OPERATION: TO EXTEND HOOK PUSH ON SERRATED AREA
- 3 RUBBER PAD FOR DOOR PROTECTION.
- 2 DECORATIVE FINISH: SATIN BUFF AND CLEAR ANODIZE.
- 1 MATERIAL: CASE AND HOOK; ALUM ALLOY PIN AND SPRING; 300 SERIES CRES RUBBER PAD; NEOPRENE (BLACK)

NOTES: UNLESS OTHERWISE SPECIFIED

PART NUMBER	DESCRIPTION	MATERIAL OR NOTE
-3	RETAINER	1 2
-1	RETAINER	1 2

REQUISITION		LIST OF MATERIAL	
UNLESS OTHERWISE NOTED DIMENSIONS ARE IN INCHES. TOLERANCES ON: DECIMALS .XX ± .03 .XXX ± .010 ANGLES ± 0° 30'		CONTRACT NO.	
SURFACE ROUGHNESS		DRAFTSMAN M. FOSTER	4/6/76
HEAT TREAT		CHECKER KS	6-8-76
FINISH		ENGINEER Maurice Fink	6/16/76
INSPECT		PROD. APPD	
REF. NO.		APPROVAL	
NEXT ASSY	USED ON	SIZE	CODE IDENT NO.
APPLICATION		C	51941
		SCALE	WT CALC
		1/1	WT ACT
			SHEET 1 OF 1

SKYLOCK INDUSTRIES, INC.
SO. EL MONTE, CALIFORNIA

RETAINER, DOOR

20186