

THE INFORMATION AND DESIGN HEREIN WAS ORIGINATED BY AND IS THE PROPERTY OF SKYLOCK INDUSTRIES INCORPORATED. SKYLOCK INDUSTRIES INCORPORATED RESERVES ALL PATENT, PROPRIETARY, DESIGN MANUFACTURING, REPRODUCTION, USE AND SALES RIGHTS THERETO, AND TO ANY ARTICLE DISCLOSED THEREIN EXCEPT TO THE EXTENT RIGHTS ARE EXPRESSLY GRANTED TO OTHERS. THE FOREGOING DOES NOT APPLY TO VENDOR PROPRIETARY PARTS.

REVISIONS				
ZONE	LTR	DESCRIPTION	DATE	APPROVED
	AC	SEE ECN AC	12-15-98	T. CSIK
	AD	SEE ECN AD	6-9-99	T. CSIK
	AE	SEE ECN AE	9-8-99	E.W.
	AF	SEE ECN AF		

NOTES: UNLESS OTHERWISE SPECIFIED.


- REMOVE ALL BURRS AND BREAK SHARP EDGES.
- MAT'L REFERENCE: TURN; ALUM ALLOY, CAM; 303 CRES, SPRING AND BALL; CRES.
- FINISH REFERENCE: ALUM. PARTS; ANODIZE, CRES PARTS; PASSIVATE PER AMS-QQ-P-35 OR EQUIV. SCREW; CAD PLATE PER QQ-P-416.
- FINISH REFERENCE: SATIN BRUSH, AND CLEAR ANODIZE PER MIL-A-8625, TYPE II, CLASS 1.
- FINISH REFERENCE: BRIGHT BUFF, AND CANDY APPLE RED ANODIZE PER MIL-A-8625, TYPE II, CLASS 2.
- THE FOLLOWING STATIC LOAD IS FOR REFERENCE USE ONLY. IT IS PROVIDED FOR CUSTOMER ENGINEERING TO DETERMINE THE GENERAL SUITABILITY OF THE PRODUCT FOR ITS INTENDED USE. ALTHOUGH SKYLOCK IS PROVIDING THE REFERENCE STATIC LOAD, THE CUSTOMER IS ULTIMATELY RESPONSIBLE FOR CERTIFICATION OF THE PRODUCT FOR ITS SPECIFIC APPLICATION. REFERENCE STATIC LOAD: 600 LBS. MAX.
- REMOVED.
- ROTATION 360°.
- ROTATION 90° L.H.
- ROTATION 90° R.H.
- ROTATION 180°.
- SCREW IS NOT PART OF THIS ASSEMBLY.
- ALL RETAINERS ARE DETENTED AT EACH 90° OF ROTATION.
- APPLICABLE TO FAA-PMA REPLACEMENT OR MODIFICATION PARTS ONLY. PER FAR 45.15, PARTS WILL BE IDENTIFIED WITH:
 - FAA-PMA.
 - SKYLOCK IND. INC.
 - PART NO.
 - AIRCRAFT INSTALLATION ELIGIBILITY.

(PARTS LIST CONT'D ON SHT. 2)

-45	RETAINER	5/11	180°	1.19	.94	A	120199-45
-43	RETAINER	4/9	90°	1.19	.94	A	120199-43
-41	RETAINER	5/9	90°	1.75	.94	A	120199-41
-39	RETAINER	4/9	90°	1.19	1.33	D	120199-39
-37	RETAINER	4/11	180°	2.33	.94	A	120199-37
-36	RETAINER	4/9	90°	2.33	.94	A	120199-36
-35	RETAINER	4/10	90°	2.33	.94	A	120199-35
-34	RETAINER	5/9	90°	1.56	.94	A	120199-34
-33	RETAINER	4/11	180°	1.19	.94	A	120199-33
-32	RETAINER	4/10	90°	1.19	.94	A	120199-32
-31	RETAINER	4/9	90°	1.19	.94	A	120199-31
-30	RETAINER	4/10	90°	1.75	.94	A	120199-30
-29	RETAINER	4/9	90°	1.75	.94	A	120199-29
-28	RETAINER	5/10	90°	1.19	.94	A	120199-28
-27	RETAINER	5/9	90°	1.19	.94	A	120199-27
-25	RETAINER	5/8	360°	1.19	1.75	C	120199-25
-23	RETAINER	5/8	360°	2.33	.94	A	120199-23
-21	RETAINER	5/8	360°	1.625	.94	A	120199-21
-19	RETAINER	5/8	360°	1.19	1.88	B	120199-19
-17	RETAINER	5/10	90°	1.56	.94	A	120199-17
-15	RETAINER	5/9	90°	1.19	.94	A	120199-15
-13	RETAINER	5/8	360°	1.19	.94	A	120199-13
-11	RETAINER	4/8	360°	1.19	1.75	C	120199-11
-9	RETAINER	4/8	360°	2.33	.94	A	120199-9
-7	RETAINER	4/8	360°	1.625	.94	A	120199-7
-5	RETAINER	4/8	360°	1.19	1.88	B	120199-5
-4	RETAINER	4/10	90°	1.56	.94	A	120199-4
-3	RETAINER	4/9	90°	1.56	.94	A	120199-3
-1	RETAINER	4/8	360°	1.19	.94	A	120199-1

PART NO.	DESCRIPTION	MATERIAL	SIZE	SPECIFICATION	MAKE FROM RETAINER ASSEMBLY
			A DIM	B DIM	SCREW

PARTS LIST

UNLESS OTHERWISE SPECIFIED	DRAWN BY SINGELAKIS	4-7-88	 SKYLOCK INDUSTRIES INCORPORATED MONROVIA CALIFORNIA U.S.A.
DIMENSIONS ARE IN INCHES	CHECKED J.W.	9-11-98	
TOLERANCES ON	ENGINEER T. CSIK	9-11-98	
DECIMALS ANGLES DRILLED HOLES	MFG B. KING	9-11-98	
.X ±.1 .XX ±.03 .XXX ±.010	QC J.VIVIRITO	9-11-98	

20199 RETAINER

DO NOT SCALE THIS DRAWING	SIZE	CODE IDENT. NO.	DRAWING NO.	REV.
	C	51941	20199	AF

MANUFACTURE IN ACCORDANCE WITH SKYLOCK QUALITY CONTROL MANUAL QC.001 SCALE NONE SHEET 1 OF 3

SCREW REF.	
A	134-15
B	134-30
C	134-28
D	134-22
E	134-18
F	134-14
SCREW	PART NO.

4

3

2

1

THE INFORMATION AND DESIGN HEREIN WAS ORIGINATED BY AND IS THE PROPERTY OF SKYLOCK INDUSTRIES INCORPORATED. SKYLOCK INDUSTRIES INCORPORATED RESERVES ALL PATENT, PROPRIETARY, DESIGN MANUFACTURING, REPRODUCTION, USE AND SALES RIGHTS THERE TO, AND TO ANY ARTICLE DISCLOSED THEREIN EXCEPT TO THE EXTENT RIGHTS ARE EXPRESSLY GRANTED TO OTHERS. THE FOREGOING DOES NOT APPLY TO VENDOR PROPRIETARY PARTS.

REVISIONS

SEE SHT.1 FOR NOTES


-97	RETAINER	$\triangle 5 \triangle 9$	90°	.88	.94	A	120199-97
-95	RETAINER	$\triangle 5 \triangle 10$	90°	.88	.94	A	120199-95
-93	RETAINER	$\triangle 5 \triangle 9$	90°	2.00	.94	A	120199-93
-92	RETAINER	$\triangle 5 \triangle 10$	90°	2.00	.94	A	120199-92
-91	RETAINER	$\triangle 5 \triangle 9$	90°	5.80	.94	A	120199-91
-90	RETAINER	$\triangle 5 \triangle 10$	90°	.78		$\triangle 12$	120199-90
-89	RETAINER	$\triangle 5 \triangle 9$	90°	.78		$\triangle 12$	120199-89
-88	RETAINER	$\triangle 5 \triangle 10$	90°	1.19		$\triangle 12$	120199-88
-87	RETAINER	$\triangle 5 \triangle 9$	90°	1.19		$\triangle 12$	120199-87
-85	RETAINER	$\triangle 4 \triangle 10$	90°	3.00	.94	A	120199-85
-83	RETAINER	$\triangle 4 \triangle 9$	90°	3.00	.94	A	120199-83
-81	RETAINER	$\triangle 5 \triangle 11$	180°	2.33	.94	A	120199-81
-79	RETAINER	$\triangle 4 \triangle 10$	90°	2.25	.94	A	120199-79
-77	RETAINER	$\triangle 4 \triangle 9$	90°	2.25	.94	A	120199-77
-75	RETAINER	$\triangle 5 \triangle 10$	90°	2.25	.94	A	120199-75
-73	RETAINER	$\triangle 5 \triangle 9$	90°	2.25	.94	A	120199-73
-71	RETAINER	$\triangle 4 \triangle 11$	180°	2.00	.94	A	120199-71
-69	RETAINER	$\triangle 4 \triangle 9$	90°	4.88	.94	A	120199-69
-67	RETAINER	$\triangle 5 \triangle 9$	90°	4.00	1.12	E	120199-67
-65	RETAINER	$\triangle 5 \triangle 11$	180°	1.50	1.12	E	120199-65
-63	RETAINER	$\triangle 5 \triangle 10$	90°	4.00	1.12	E	120199-63
-61	RETAINER	$\triangle 5 \triangle 11$	180°	2.00	1.12	E	120199-61
-59	RETAINER	$\triangle 4 \triangle 9$	90°	1.19		$\triangle 12$	120199-59
-58	RETAINER	$\triangle 5 \triangle 10$	90°	1.19		$\triangle 12$	120199-58
-57	RETAINER	$\triangle 5 \triangle 9$	90°	1.19		$\triangle 12$	120199-57
-56	RETAINER	$\triangle 5 \triangle 10$	90°	3.00	.94	A	120199-56
-55	RETAINER	$\triangle 5 \triangle 9$	90°	3.00	.94	A	120199-55
-54	RETAINER	$\triangle 5 \triangle 10$	90°	1.65	.94	A	120199-54
-53	RETAINER	$\triangle 4 \triangle 9$	90°	1.99	1.12	E	120199-53
-52	RETAINER	$\triangle 4 \triangle 8$	360°	1.44	.94	A	120199-52
-51	RETAINER	$\triangle 4 \triangle 11$	180°	1.62	1.88	B	120199-51
-50	REMOVED						
-49	RETAINER	$\triangle 4 \triangle 11$	180°	1.62	.94	A	120199-49
-47	RETAINER	$\triangle 4 \triangle 11$	180°	1.19	1.75	C	120199-47

PART NO.	DESCRIPTION	MATERIAL	SIZE	SPECIFICATION	A DIM	B DIM	SCREW	MAKE FROM RETAINER ASSEMBLY
----------	-------------	----------	------	---------------	-------	-------	-------	-----------------------------

PARTS LIST

-105	RETAINER	$\triangle 5 \triangle 11$	180°	2.00	.94	A	120199-105	
-104	RETAINER	$\triangle 4 \triangle 10$	90°	2.00	1.12	E	120199-104	
-103	RETAINER	$\triangle 4 \triangle 9$	90°	2.00	1.12	E	120199-103	
-102	RETAINER	$\triangle 4 \triangle 10$	90°	1.19	.88	F	120199-102	
-101	RETAINER	$\triangle 4 \triangle 9$	90°	1.19	.88	F	120199-101	
-99	RETAINER	$\triangle 4 \triangle 11$	180°	1.19	.94	A	120199-99	
					A DIM	B DIM	SCREW	MAKE FROM
PART NO.	DESCRIPTION	MATERIAL SIZE SPECIFICATION						

UNLESS OTHERWISE SPECIFIED	DRAWN BY
DIMENSIONS ARE IN INCHES	CHECKED
TOLERANCES ON	ENGINEER
DECIMALS ANGLES DRILLED HOLES	PROJECT
X .±.1 ± 0° 30' AND 10387	APPROVAL
.XX ± .03	APPROVAL
.XXX ± .010	
DO NOT SCALE THIS DRAWING	
MATERIAL - FINISH	USED ON
NEXT ASSY	
FINAL ASSY	

 SKYLOCK INDUSTRIES INCORPORATED
MONROVIA CALIFORNIA U.S.A.

20199 RETAINER

SIZE	CODE IDENT. NO.	DRAWING NO.	REV.
C	51941	20199	AF
SCALE	NONE	WT.	SHEET 2 OF 3

4

3

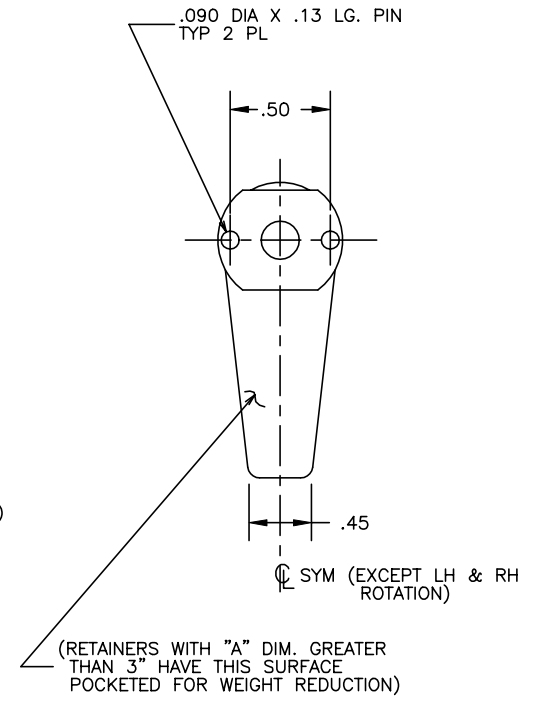
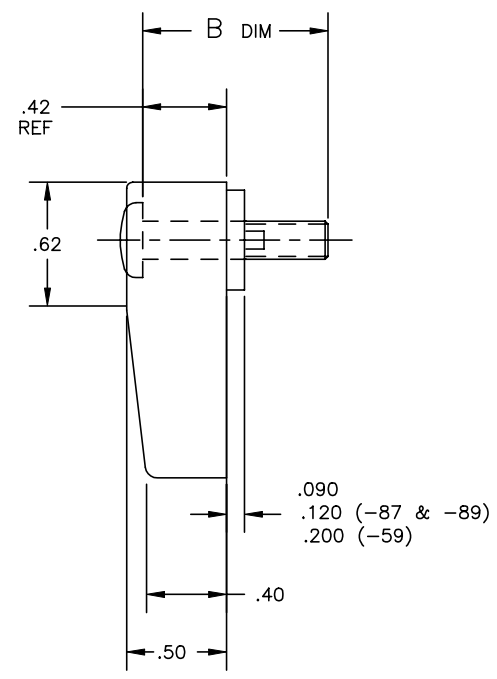
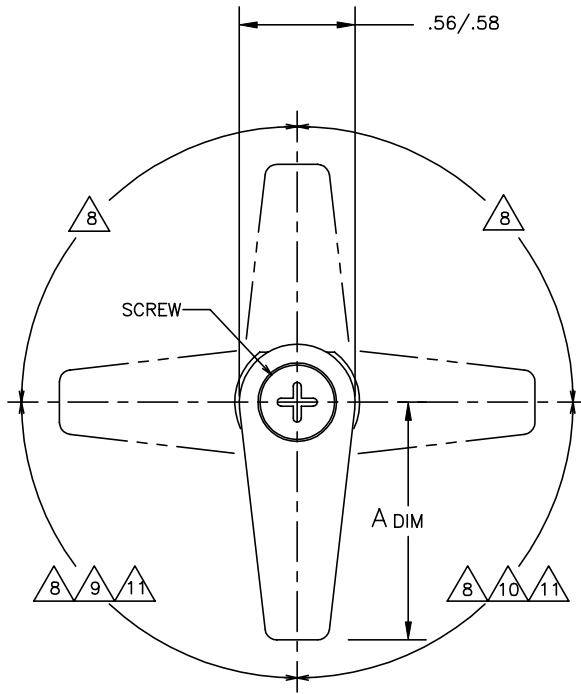
2

1


THE INFORMATION AND DESIGN HEREIN WAS ORIGINATED BY AND IS THE PROPERTY OF SKYLOCK INDUSTRIES INCORPORATED. SKYLOCK INDUSTRIES INCORPORATED RESERVES ALL PATENT, PROPRIETARY, DESIGN MANUFACTURING, REPRODUCTION, USE AND SALES RIGHTS THERETO, AND TO ANY ARTICLE DISCLOSED THEREIN EXCEPT TO THE EXTENT RIGHTS ARE EXPRESSLY GRANTED TO OTHERS. THE FOREGOING DOES NOT APPLY TO VENDOR PROPRIETARY PARTS.

REVISIONS

SEE SHT.1 FOR NOTES



TYPICAL RETAINER

 SKYLOCK INDUSTRIES INCORPORATED MONROVIA CALIFORNIA U.S.A.			
20199 RETAINER			
SIZE	CODE IDENT. NO.	DRAWING NO.	REV.
C	51941	20199	AF
SCALE	NONE		SHEET 3 OF 3