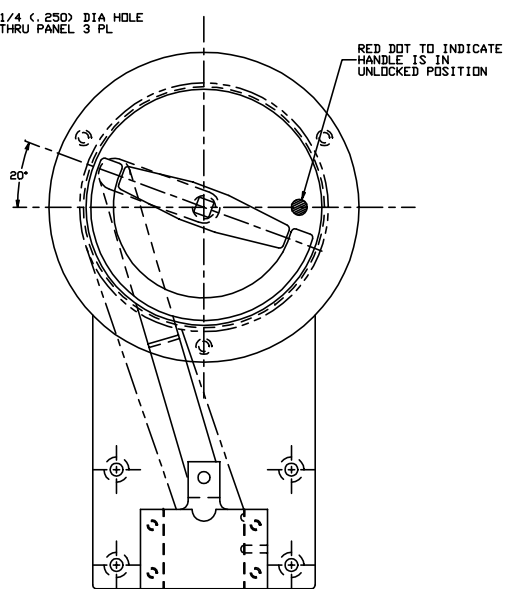
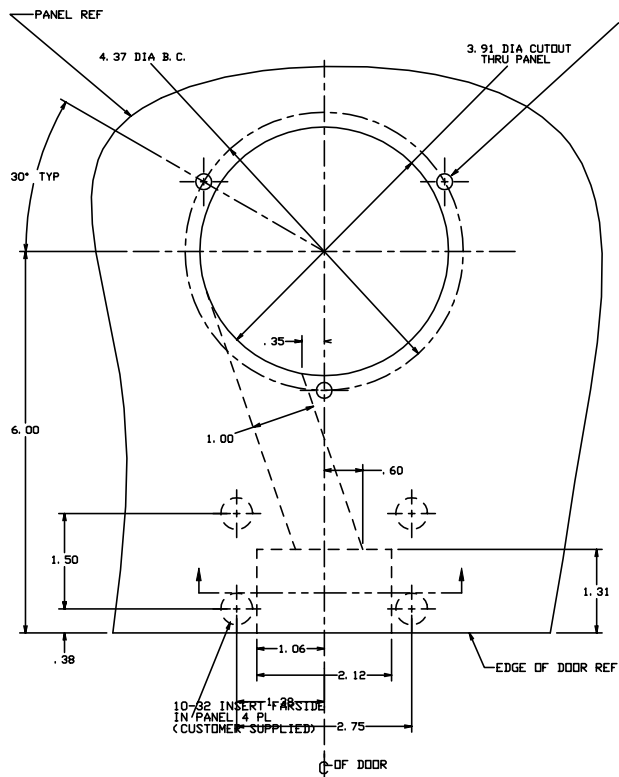


THE INFORMATION AND DESIGN HEREIN WAS OBTAINED BY AND IS THE PROPERTY OF SOLIDEX INDUSTRIES INCORPORATED. SOLIDEX INDUSTRIES INCORPORATED RECEIVES ALL PATENT, PROPRIETARY, DESIGN MANUFACTURING INFORMATION, USE AND SALES RIGHTS THEREIN, AND TO ANY ARTICLES DEVELOPED THEREIN EXCEPT TO THE EXTENT RIGHTS ARE EXPRESSLY GRANTED TO OTHERS. THE FOREGOING DOES NOT APPLY TO NON-PATENTED PARTS.

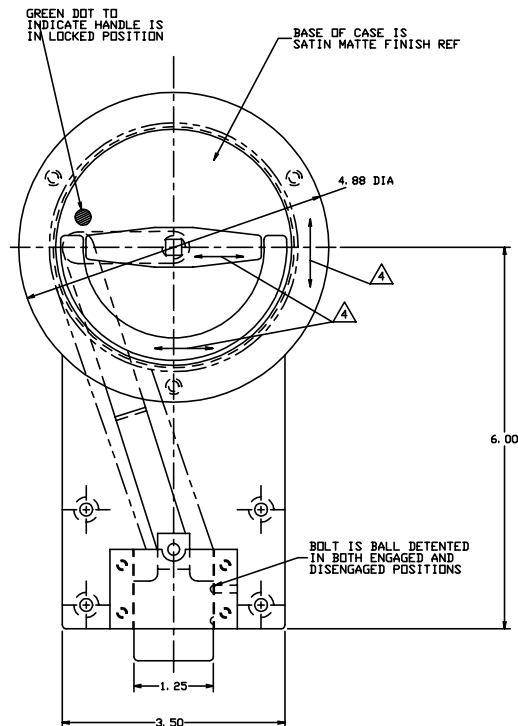
NOTES: UNLESS OTHERWISE SPECIFIED.

1. REMOVE ALL BURRS AND BREAK SHARP EDGES.
 2. MAT'L: HANDLE, CROSSBAR, BOLT CASE AND BACK MOUNTING PLATE; ALUM. ALLOY, CUP, BOLT, LINKAGE AND ALL OTHER COMPS; ST. STL.
 3. FINISH: ALUM.; CLEAR ANODIZE PER MIL-A-8625E. ST. STL.; CLEAN AND PASSIVATE.
- ⚠ DECORATIVE FINISH: HANDLE AND BASE FLANGE ARE SATIN BRUSHED ON TOP SURFACES, BASE OF CASE IS SATIN MATTE.

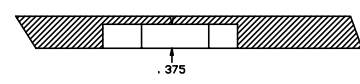
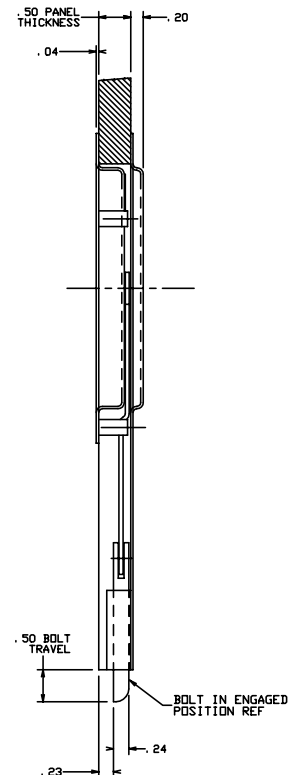
REVISIONS				
ZONE	LTR	DESCRIPTION	DATE	APPROVED
NC		PRODUCTION RELEASE	6-21-91	T. C.
A		ADDED GRAB DIRECTION FOR FIRST ARTICLE. HANDLE ROTATES TO HORIZONTAL POSITION WHEN ENGAGED PER CUSTOMER REQUEST.	6-21-91	T. C.



BOLTING SYSTEM SHOWN IN DISENGAGED POSITION



BOLTING SYSTEM SHOWN IN ENGAGED POSITION



SUGGESTED PANEL CUTOUT SHOWN

-401		BOLTING SYSTEM		
QTY REQD	PART NO.	DESCRIPTION	MATERIAL	SIZE SPECIFICATION
PARTS LIST				
UNLESS OTHERWISE SPECIFIED		DRAWN BY	T. CSIK	6-19-91
DIMENSIONS ARE IN INCHES		CHECKED		
TOLERANCES ON		DESIGNED		
DECIMALS	ANGLES	DRIILLED HOLES		
.0001	± 0° 30'	AND 10007		
.0005				
.0010				
DO NOT SCALE THIS DRAWING		APPROVAL	T. CSIK	6-21-91
MATERIAL - FINISH		USED ON		
NEXT ASBY		SIZE	D	CODE ENGR. NO.
FINAL ASBY		SCALE	1:1	DRIVING NO.
		REV.		A
		BY.		20707
		SHEET	1	OF
				1



DOOR BOLTING SYSTEM