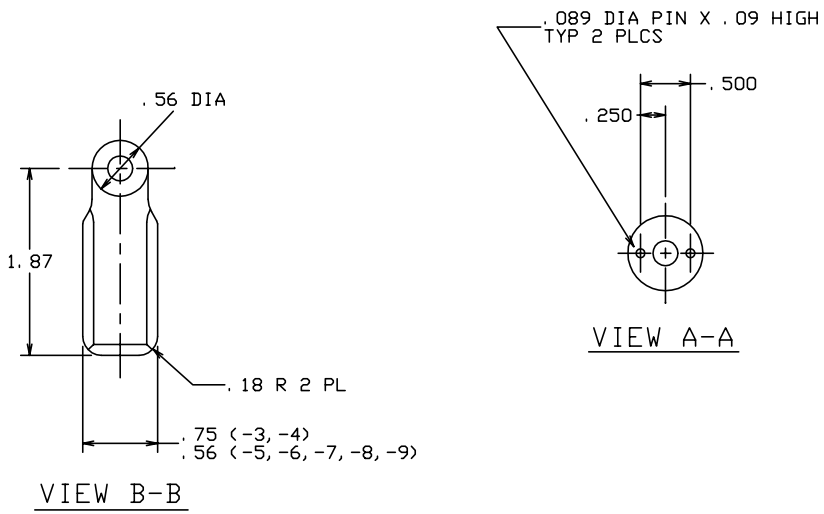
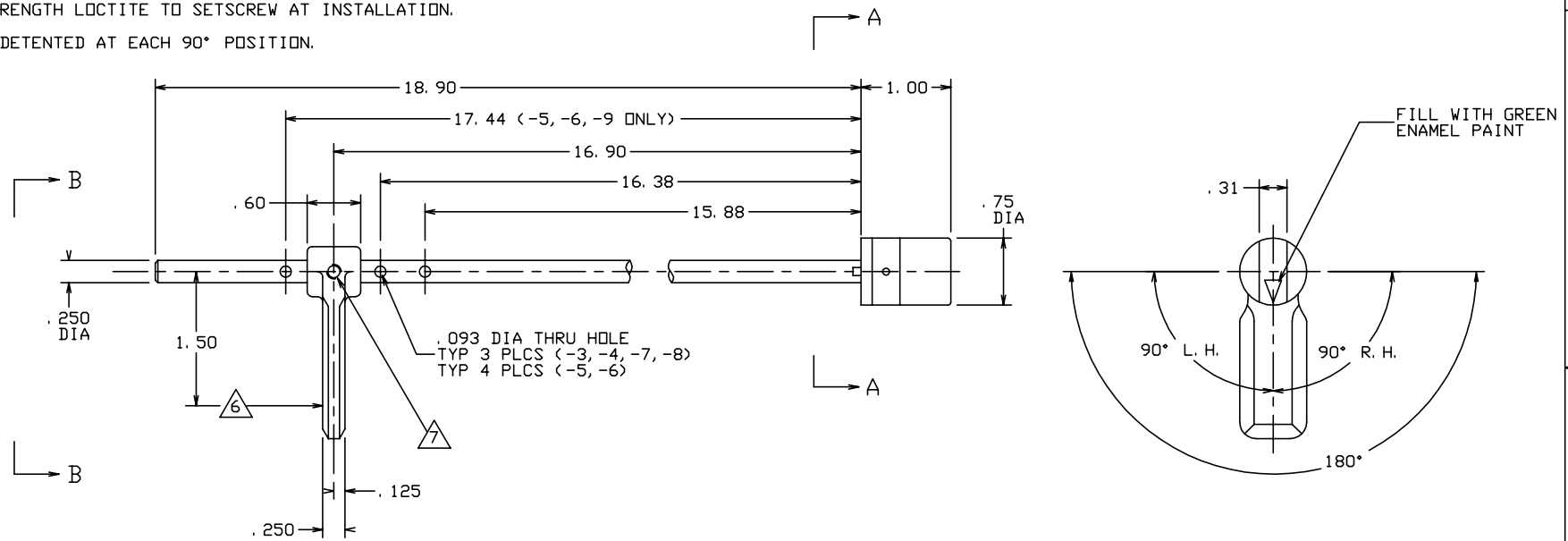


THE INFORMATION AND DESIGN HEREIN WAS ORIGINATED BY AND IS THE PROPERTY OF SKYLOCK INDUSTRIES INCORPORATED. SKYLOCK INDUSTRIES INCORPORATED RESERVES ALL PATENT, PROPRIETARY, DESIGN MANUFACTURING, REPRODUCTION, USE AND SALES RIGHTS THERE TO, AND TO ANY ARTICLE DISCLOSED THEREIN EXCEPT TO THE EXTENT RIGHTS ARE EXPRESSLY GRANTED TO OTHERS. THE FOREGOING DOES NOT APPLY TO VENDOR PROPRIETARY PARTS.

REVISIONS				
ZONE	LTR	DESCRIPTION	DATE	APPROVED
	NC	PRODUCTION RELEASE	4-22-97	T. CSIK
	A	IN L/M, P/N IS -3/-4 WAS -1/-2	10-8-97	T. CSIK
	B	ADDED -9	11-13-97	T. CSIK

NOTES: UNLESS OTHERWISE SPECIFIED.

1. MAT'L: TURN; ALUM. ALLOY, ALL OTHER PARTS; CRES.
2. FINISH: ALUM.; ANODIZE, CRES PARTS; PASSIVATE.
3. DECORATIVE FINISH: TURN; BRIGHT BUFF AND CANDY APPLE RED ANODIZE.
- 4 90° L. H. ROTATION, DETENTED AT EACH POSITION.
- 5 90° R. H. ROTATION, DETENTED AT EACH POSITION.
- 6 STATIC LOAD: 1200 LBS. MAX.
- 7 APPLY MEDIUM STRENGTH LOCTITE TO SETSCREW AT INSTALLATION.
- 8 180° ROTATION, DETENTED AT EACH 90° POSITION.



	-9	REMOTE RETAINER ASSY	8		
	-8	REMOTE RETAINER ASSY	5		
	-7	REMOTE RETAINER ASSY	4		
	-6	REMOTE RETAINER ASSY	5		
	-5	REMOTE RETAINER ASSY	4		
	-4	REMOTE RETAINER ASSY	5		
	-3	REMOTE RETAINER ASSY	4		
PART NO.	DESCRIPTION	MATERIAL	SIZE	SPECIFICATION	ITEM NO.

PARTS LIST					
UNLESS OTHERWISE SPECIFIED	DRAWN BY T. CSIK	4-22-97	SKYLOCK INDUSTRIES INCORPORATED MONROVIA CALIFORNIA U. S. A. REMOTE RETAINER ASSY		
DIMENSIONS ARE IN INCHES	CHECKED				
TOLERANCES ON	ENGINEER				
DECIMALS ANGLES DRILLED HOLES	PROJECT				
.X ± .1 ± 0° 30' AND 10387	APPROVAL D. SHORT	4-22-97			
.XX ± .03	APPROVAL				
.XXX ± .010					
DO NOT SCALE THIS DRAWING					
MATERIAL - FINISH	USED ON	SIZE	CODE IDENT. NO.	DRAWING NO.	REV.
NEXT ASSY		C	51941	20935	B
FINAL ASSY		SCALE 2:1	WT.	SHEET 1 OF 1	