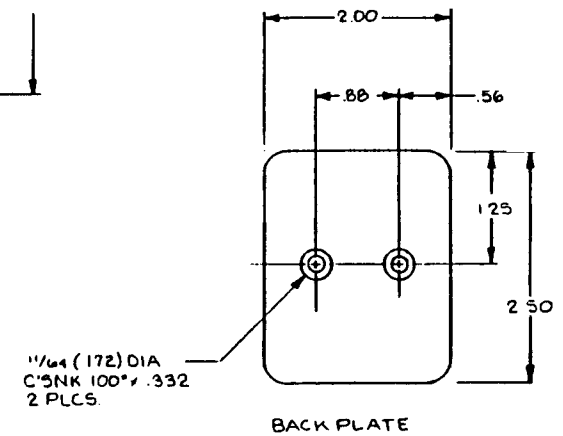
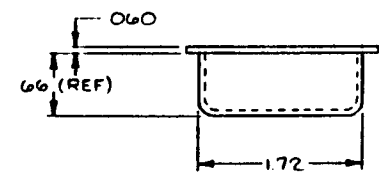
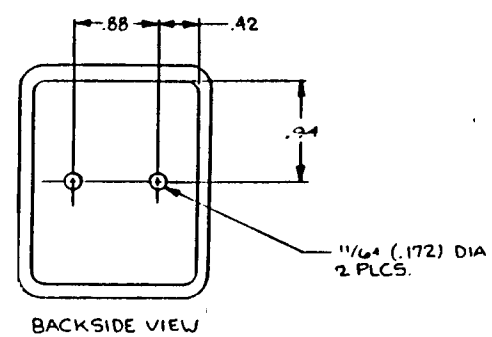
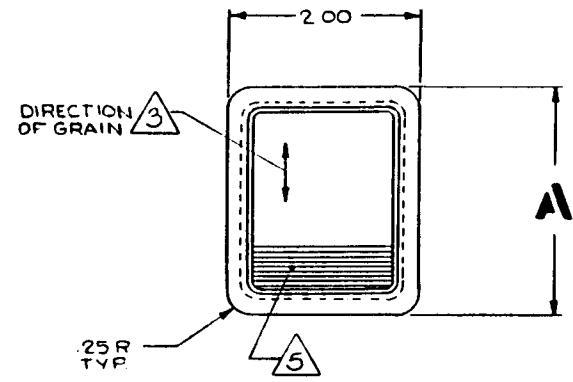
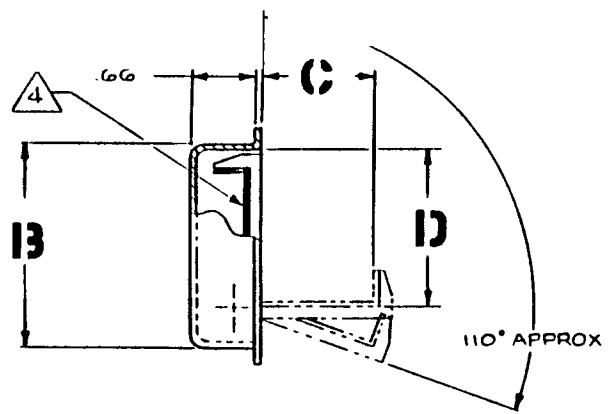


Shylock Industries Incorporated reserves all patent rights in this design. No part of this drawing may be reproduced, stored in a retrieval system, or transmitted in any form or by any means, electronic, mechanical, photocopying, recording, or by any information storage and retrieval system, without the prior written permission of Shylock Industries Incorporated. This permission is granted to others by license only. The copyright does not apply to this drawing.

zone	tr	description	date	approved
	NC	PRODUCTION RELEASE	112-6-88	TS
A		ADD MOUNTING HOLES	1-26-89	TS
B		ADDED -5, DIM. 5.94 <del>VS</del> 1.10	4-27-93	T.C.
C		ADDED -7 / TAB BLOCK	10-23-92	



- 5 OPERATION TO EXTEND HOOK PUSH ON SERRATED AREA
- 4 RUBBER PAD FOR DOOR PROTECTION
- 3 DECORATIVE FINISH: SATIN BRUSH & CLEAR ANODIZE

1.68	1.00	2.20	2.52		-7	DOOR HOLD, RETAINER	S/A -1 EXCEPT AS NOTED	
2.14	1.50	2.66	2.98		-5	DOOR HOLD, RETAINER		
					-3	BACK PLATE	.060 MAT'L THICKNESS	
1.68	1.18	2.20	2.52		-1	DOOR HOLD, RETAINER		
<b>D</b>	<b>C</b>	<b>B</b>	<b>A</b>	qty reqd	part no	description	material size specification	item no

2 MAT'L: CASE & HOOK & BACKPLATE: 6061-T6 ALUM  
PIN & SPRING: 300 SERIES CRES  
RUBBER PAD: NEOPRENE (BLACK)

1. REMOVE ALL BURRS AND SHARP CORNERS.

NOTES: UNLESS OTHERWISE SPECIFIED.

used on	next assy	final assy
application		qty reqd
interpret drawing in accordance with MIL-D-1000		
remove all burrs break sharp edges .010 max		
all corner and fillet radii to be .020 max		

unless otherwise specified	drawn by	3090AKLS, T	12-6-88
dimensions are in inches	checked		
tolerances on decimals angles drilled holes	engineer		
± .1 ± 0° 30' AND 10087	project		
.001 ± .003	approval		
.002 ± .010	approval		
do not scale this drawing	material - finish		

Shylock Industries Incorporated  
Monrovia California

# DOOR HOLD RETAINER

size	code ident no	drawing no	rev
C	51941	20626	C
SCALE 1 TO 1	WT	SHEET 1 OF 1	