

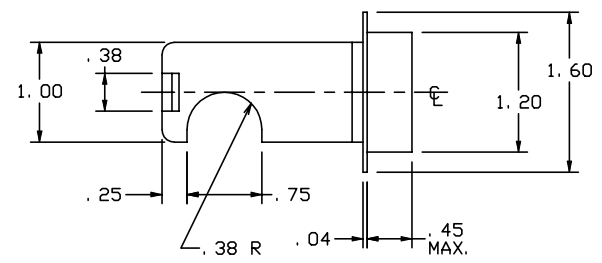
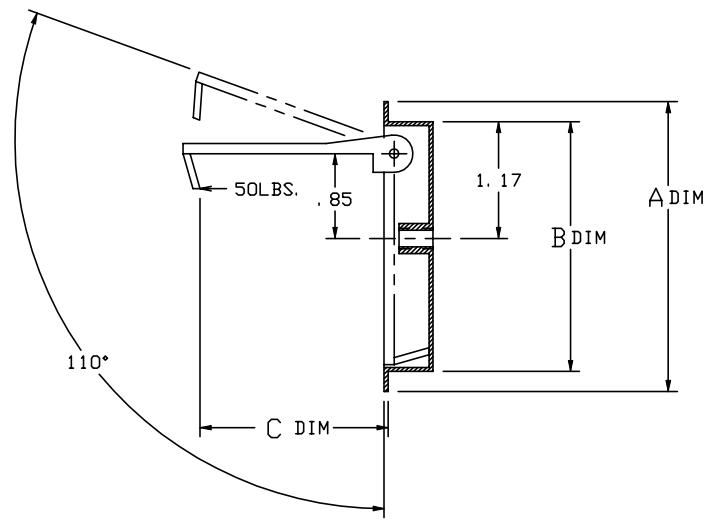
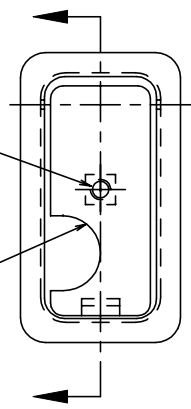
THE INFORMATION AND DESIGN HEREIN WAS ORIGINATED BY AND IS THE PROPERTY OF SKYLOCK INDUSTRIES INCORPORATED. SKYLOCK INDUSTRIES INCORPORATED RESERVES ALL PATENT, PROPRIETARY, DESIGN MANUFACTURING, REPRODUCTION, USE AND SALES RIGHTS THERE TO, AND TO ANY ARTICLE DISCLOSED THEREIN EXCEPT TO THE EXTENT RIGHTS ARE EXPRESSLY GRANTED TO OTHERS. THE FOREGOING DOES NOT APPLY TO VENDOR PROPRIETARY PARTS.

REVISIONS				
ZONE	LTR	DESCRIPTION	DATE	APPROVED
	D	REDRAWN, ADDED -407	11-4-97	T. CSIK

- NOTES: UNLESS OTHERWISE SPECIFIED.
1. REMOVE ALL BURRS AND BREAK SHARP CORNERS.
 2. MAT'L: CASE & HOOK - ALUMINUM ALLOY, ALL OTHER PARTS - 300 SERIES CRES.
 3. FINISH: SATIN BUFF, AND CLEAR ANODIZE PER MIL-A-8626.
 4. STATIC LOAD AGAINST HOOK 50 LBS WITH NO PERMANENT DEFORMATION.
 5. HOOK IS SPRING LOADED CLOSED.

10-32UNF-3B THREADED HOLE
SELF LOCKING FAR SIDE

NOTCH -407 ONLY



C DIM	B DIM	A DIM	PART NO.	DESCRIPTION
1.90	2.52	2.90	-407	DOOR HOLD OPEN
2.50	3.12	3.50	-405	DOOR HOLD OPEN
2.03	2.65	3.03	-403	DOOR HOLD OPEN
1.90	2.52	2.90	-401	DOOR HOLD OPEN

PARTS LIST

UNLESS OTHERWISE SPECIFIED	DRAWN BY T. SINGELAKIS	5-26-87	SKYLOCK INDUSTRIES INCORPORATED MONROVIA CALIFORNIA U. S. A.	
DIMENSIONS ARE IN INCHES	CHECKED			
TOLERANCES ON	ENGINEER			
DECIMALS ANGLES DRILLED HOLES	PROJECT			
.X ± .1 ± 0° 30' AND 10387	APPROVAL		DOOR HOLD OPEN	
.XX ± .03	APPROVAL			
.XXX ± .010	APPROVAL			
DO NOT SCALE THIS DRAWING	USED ON			
MATERIAL - FINISH	SIZE	CODE IDENT. NO.	DRAWING NO.	REV.
NEXT ASSY	C	51941	20424	D
FINAL ASSY	SCALE	1: 1	VT.	SHEET 1 OF 1