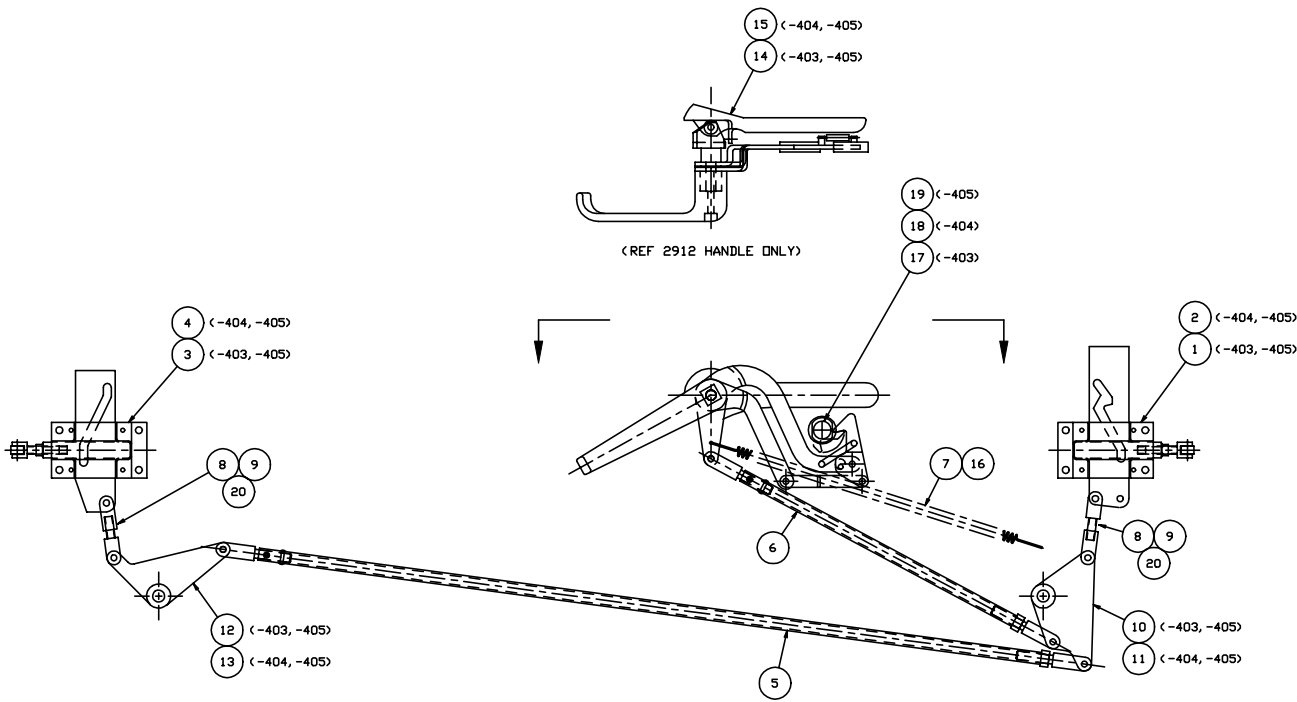


THE INFORMATION AND DESIGN HEREIN WAS ORIGINATED BY AND IS THE PROPERTY OF SOLDEX INDUSTRIES INCORPORATED. SOLDEX INDUSTRIES INCORPORATED RESERVES ALL PATENT, PROPRIETARY, DESIGN MANUFACTURING INFORMATION, USE AND SALES RIGHTS HEREIN, AND TO ANY ARTICLES DEVELOPED THEREIN EXCEPT TO THE EXTENT RIGHTS ARE EXPRESSLY GRANTED TO OTHERS. THE FOREGOING DOES NOT APPLY TO NON-PATENTABLE PARTS.

- NOTES: UNLESS OTHERWISE SPECIFIED.  
 1. SEE SUB-ASSEMBLY AND RELATED COMPONENT DRAWINGS FOR MATERIAL AND FINISH SPECIFICATIONS.  
 2. LINKAGE CONNECTING HARDWARE TO BE CUSTOMER SUPPLIED.

REVISIONS				
ZONE	LTR	DESCRIPTION	DATE	APPROVED
	NC	PRODUCTION RELEASE	3-10-95	T. CSIK



-403 DOOR BOLTING SYSTEM (SHOWN)  
 -404 DOOR BOLTING SYSTEM (OPP.)  
 -405 DOOR BOLTING SYSTEM (SHOWN AND OPP.)

QTY	REQD	PART NO.	DESCRIPTION	MATERIAL	SIZE	SPECIFICATION	ITEM NO.
1	1	1	AN316-4R				20
1			20318-407				19
	1		20318-404				18
		1	20318-403				17
2	1	1	2919-1				16
1	1	1	2912-404				15
1	1	1	2912-403				14
1	1	1	2911-2				13
1	1	1	2911-1				12
1	1	1	2910-2				11
1	1	1	2910-1				10
4	2	2	1061-1				9
4	2	2	1060-1				8
2	1	1	1058-1				7
2	1	1	1045-423				6
2	1	1	1045-421				5
1	1	1	1008-417				4
1	1	1	1008-416				3
1	1	1	1008-415				2
1	1	1	1008-414				1
-405	-404	-403					

PARTS LIST			
UNLESS OTHERWISE SPECIFIED	DRAWN BY	T. CSIK	3-9-95
DIMENSIONS ARE IN INCHES	CHECKED	S. CSIK	3-10-95
TOLERANCES ON	ENGINEER	S. CSIK	3-10-95
DECIMALS	ANGLES		
DRILLED HOLES			
±.0001	±.0001		
±.0002	±.0002		
±.0005	±.0005		
±.0010	±.0010		
±.0015	±.0015		
±.0020	±.0020		
±.0030	±.0030		
±.0040	±.0040		
±.0050	±.0050		
±.0060	±.0060		
±.0070	±.0070		
±.0080	±.0080		
±.0090	±.0090		
±.0010	±.0010		
±.0015	±.0015		
±.0020	±.0020		
±.0030	±.0030		
±.0040	±.0040		
±.0050	±.0050		
±.0060	±.0060		
±.0070	±.0070		
±.0080	±.0080		
±.0090	±.0090		
±.0010	±.0010		
±.0015	±.0015		
±.0020	±.0020		
±.0030	±.0030		
±.0040	±.0040		
±.0050	±.0050		
±.0060	±.0060		
±.0070	±.0070		
±.0080	±.0080		
±.0090	±.0090		
±.0010	±.0010		
±.0015	±.0015		
±.0020	±.0020		
±.0030	±.0030		
±.0040	±.0040		
±.0050	±.0050		
±.0060	±.0060		
±.0070	±.0070		
±.0080	±.0080		
±.0090	±.0090		
±.0010	±.0010		
±.0015	±.0015		
±.0020	±.0020		
±.0030	±.0030		
±.0040	±.0040		
±.0050	±.0050		
±.0060	±.0060		
±.0070	±.0070		
±.0080	±.0080		
±.0090	±.0090		
±.0010	±.0010		
±.0015	±.0015		
±.0020	±.0020		
±.0030	±.0030		
±.0040	±.0040		
±.0050	±.0050		
±.0060	±.0060		
±.0070	±.0070		
±.0080	±.0080		
±.0090	±.0090		
±.0010	±.0010		
±.0015	±.0015		
±.0020	±.0020		
±.0030	±.0030		
±.0040	±.0040		
±.0050	±.0050		
±.0060	±.0060		
±.0070	±.0070		
±.0080	±.0080		
±.0090	±.0090		
±.0010	±.0010		
±.0015	±.0015		
±.0020	±.0020		
±.0030	±.0030		
±.0040	±.0040		
±.0050	±.0050		
±.0060	±.0060		
±.0070	±.0070		
±.0080	±.0080		
±.0090	±.0090		
±.0010	±.0010		
±.0015	±.0015		
±.0020	±.0020		
±.0030	±.0030		
±.0040	±.0040		
±.0050	±.0050		
±.0060	±.0060		
±.0070	±.0070		
±.0080	±.0080		
±.0090	±.0090		
±.0010	±.0010		
±.0015	±.0015		
±.0020	±.0020		
±.0030	±.0030		
±.0040	±.0040		
±.0050	±.0050		
±.0060	±.0060		
±.0070	±.0070		
±.0080	±.0080		
±.0090	±.0090		
±.0010	±.0010		
±.0015	±.0015		
±.0020	±.0020		
±.0030	±.0030		
±.0040	±.0040		
±.0050	±.0050		
±.0060	±.0060		
±.0070	±.0070		
±.0080	±.0080		
±.0090	±.0090		
±.0010	±.0010		
±.0015	±.0015		
±.0020	±.0020		
±.0030	±.0030		
±.0040	±.0040		
±.0050	±.0050		
±.0060	±.0060		
±.0070	±.0070		
±.0080	±.0080		
±.0090	±.0090		
±.0010	±.0010		
±.0015	±.0015		
±.0020	±.0020		
±.0030	±.0030		
±.0040	±.0040		
±.0050	±.0050		
±.0060	±.0060		
±.0070	±.0070		
±.0080	±.0080		
±.0090	±.0090		
±.0010	±.0010		
±.0015	±.0015		
±.0020	±.0020		
±.0030	±.0030		
±.0040	±.0040		
±.0050	±.0050		
±.0060	±.0060		
±.0070	±.0070		
±.0080	±.0080		
±.0090	±.0090		
±.0010	±.0010		
±.0015	±.0015		
±.0020	±.0020		
±.0030	±.0030		
±.0040	±.0040		
±.0050	±.0050		
±.0060	±.0060		
±.0070	±.0070		
±.0080	±.0080		
±.0090	±.0090		
±.0010	±.0010		
±.0015	±.0015		
±.0020	±.0020		
±.0030	±.0030		
±.0040	±.0040		
±.0050	±.0050		
±.0060	±.0060		
±.0070	±.0070		
±.0080	±.0080		
±.0090	±.0090		
±.0010	±.0010		
±.0015	±.0015		
±.0020	±.0020		
±.0030	±.0030		
±.0040	±.0040		
±.0050	±.0050		
±.0060	±.0060		
±.0070	±.0070		
±.0080	±.0080		
±.0090	±.0090		
±.0010	±.0010		
±.0015	±.0015		
±.0020	±.0020		
±.0030	±.0030		
±.0040	±.0040		
±.0050	±.0050		
±.0060	±.0060		
±.0070	±.0070		
±.0080	±.0080		
±.0090	±.0090		
±.0010	±.0010		
±.0015	±.0015		
±.0020	±.0020		
±.0030	±.0030		
±.0040	±.0040		
±.0050	±.0050		
±.0060	±.0060		
±.0070	±.0070		
±.0080	±.0080		
±.0090	±.0090		
±.0010	±.0010		
±.0015	±.0015		
±.0020	±.0020		
±.0030	±.0030		
±.0040	±.0040		
±.0050	±.0050		
±.0060	±.0060		
±.0070	±.0070		
±.0080	±.0080		
±.0090	±.0090		
±.0010	±.0010		
±.0015	±.0015		
±.0020	±.0020		
±.0030	±.0030		
±.0040	±.0040		
±.0050	±.0050		
±.0060	±.0060		
±.0070	±.0070		
±.0080	±.0080		
±.0090	±.0090		
±.0010	±.0010		
±.0015	±.0015		
±.0020	±.0020		
±.0030	±.0030		
±.0040	±.0040		
±.0050	±.0050		
±.0060	±.0060		
±.0070	±.0070		
±.0080	±.0080		
±.0090	±.0090		
±.0010	±.0010		
±.0015	±.0015		
±.0020	±.0020		
±.0030	±.0030		
±.0040	±.0040		
±.0050	±.0050		
±.0060	±.0060		
±.0070	±.0070		
±.0080	±.0080		
±.0090	±.0090		
±.0010	±.0010		
±.0015	±.0015		
±.0020	±.0020		
±.0030	±.0030		
±.0040	±.0040		
±.0050	±.0050		
±.0060	±.0060		
±.0070	±.0070		
±.0080	±.0080		
±.0090	±.0090		
±.0010	±.0010		
±.0015	±.0015		