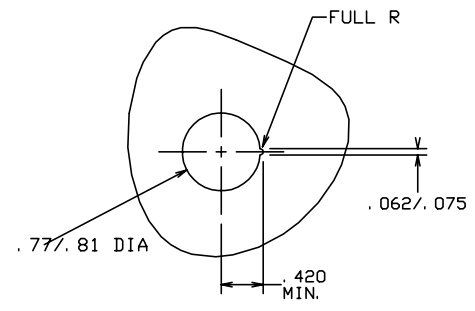
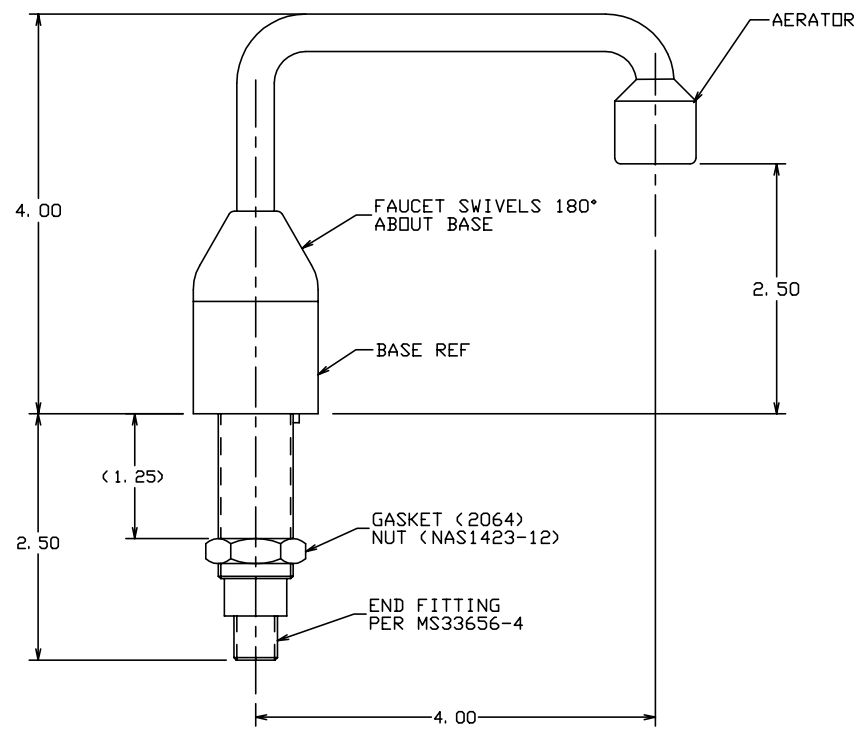


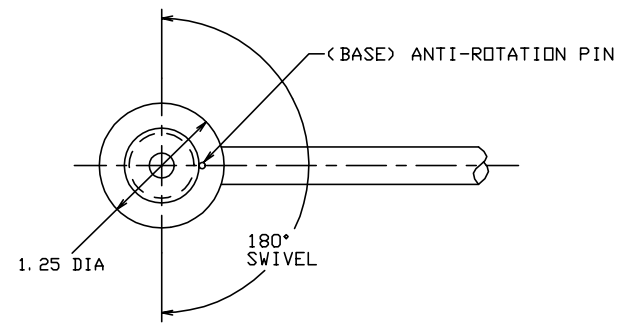
THE INFORMATION AND DESIGN HEREIN WAS ORIGINATED BY AND IS THE PROPERTY OF SKYLOCK INDUSTRIES INCORPORATED. SKYLOCK INDUSTRIES INCORPORATED RESERVES ALL PATENT, PROPRIETARY, DESIGN MANUFACTURING, REPRODUCTION, USE AND SALES RIGHTS THERE TO, AND TO ANY ARTICLE DISCLOSED THEREIN EXCEPT TO THE EXTENT RIGHTS ARE EXPRESSLY GRANTED TO OTHERS. THE FOREGOING DOES NOT APPLY TO VENDOR PROPRIETARY PARTS.


REVISIONS				
ZONE	LTR	DESCRIPTION	DATE	APPROVED
	NC	PRODUCTION RELEASE	5-4-92	T. CSIK

- NOTES: UNLESS OTHERWISE SPECIFIED.
1. REMOVE ALL BURRS AND BREAK SHARP EDGES.
  2. MAT'L: ALL COMPONENTS; BRASS.
  3. FINISH: SATIN CHROME PLATE.
  4. FUNCTION: THIS IS A FREE FLOW TYPE FAUCET AND IS DESIGNED ONLY TO OPERATE WITH A CUSTOMER SUPPLIED WATER REGULATOR/SHUTOFF VALVE.



PANEL CUTOUT



-401		FAUCET ASSY		MATERIAL SIZE SPECIFICATION		ITEM NO.
QTY REQD	PART NO.	DESCRIPTION				
PARTS LIST						
UNLESS OTHERWISE SPECIFIED		DRAWN BY	T. CSIK	5-4-92	 SKYLOCK INDUSTRIES INCORPORATED MONROVIA CALIFORNIA U. S. A.	
DIMENSIONS ARE IN INCHES		CHECKED				
TOLERANCES ON		ENGINEER				
DECIMALS ANGLES DRILLED HOLES		PROJECT				
.X ± .1 ± 0° 30' AND 10387		APPROVAL	T. CSIK	5-4-92	SWIVEL FAUCET ASSY	
.XX ± .03		APPROVAL				
.XXX ± .010						
DO NOT SCALE THIS DRAWING		USED ON			SIZE	REV.
MATERIAL - FINISH					C	NC
NEXT ASSY					51941	90062
FINAL ASSY					SCALE 1:1	SHEET 1 OF 1