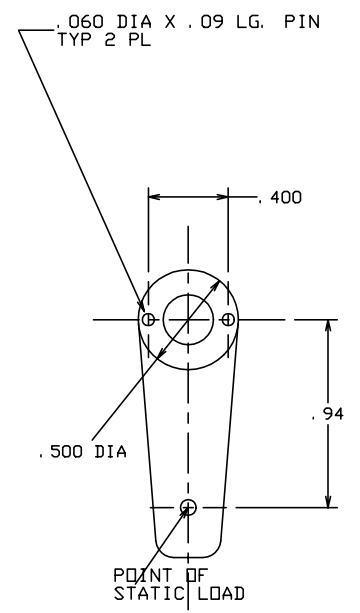
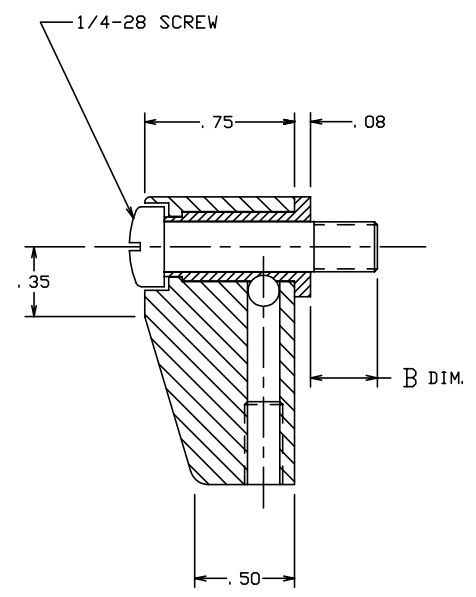
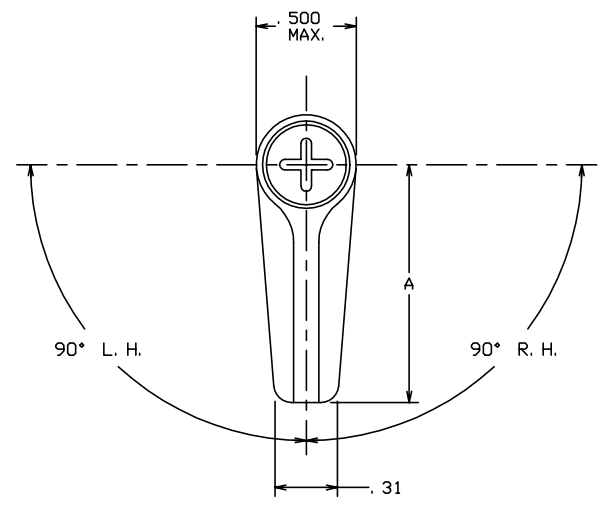


THE INFORMATION AND DESIGN HEREIN WAS ORIGINATED BY AND IS THE PROPERTY OF SKYLOCK INDUSTRIES INCORPORATED. SKYLOCK INDUSTRIES INCORPORATED RESERVES ALL PATENT, PROPRIETARY, DESIGN MANUFACTURING, REPRODUCTION, USE AND SALES RIGHTS THERE TO, AND TO ANY ARTICLE DISCLOSED THEREIN EXCEPT TO THE EXTENT RIGHTS ARE EXPRESSLY GRANTED TO OTHERS. THE FOREGOING DOES NOT APPLY TO VENDOR PROPRIETARY PARTS.


REVISIONS				
ZONE	LTR	DESCRIPTION	DATE	APPROVED
	NC	PRODUCTION RELEASE	10-14-91	T. CSIK
	A	ADDED -403, -404	1-24-92	T. CSIK
	B	ADDED -405 THRU -408	11-4-92	T. CSIK

- NOTES: UNLESS OTHERWISE SPECIFIED.
1. REMOVE ALL BURRS AND BREAK SHARP EDGES.
 2. MAT'L: RETAINER; ALUM. ALLOY, ALL OTHER PARTS; 300 SERIES CRES.
 3. FINISH: ALUM.; ANODIZE, CRES PARTS; PASSIVATE.
 4. DECORATIVE FINISH: RETAINER; BRIGHT BUFF AND CANDY APPLE RED ANODIZE.
 5. STATIC LOAD: 1000 LBS. MAX.



B DIM	A DIM	PART NO.	DESCRIPTION	MATERIAL	SIZE	SPECIFICATION	ITEM NO.
.60	2.50	-408	RETAINER ASSY				<90° RIGHT HAND>
.60	2.50	-407	RETAINER ASSY				<90° LEFT HAND>
.60	1.19	-406	RETAINER ASSY				<90° RIGHT HAND>
.60	1.19	-405	RETAINER ASSY				<90° LEFT HAND>
.33	2.50	-404	RETAINER ASSY				<90° RIGHT HAND>
.33	2.50	-403	RETAINER ASSY				<90° LEFT HAND>
.33	1.19	-402	RETAINER ASSY				<90° RIGHT HAND>
.33	1.19	-401	RETAINER ASSY				<90° LEFT HAND>

PARTS LIST

UNLESS OTHERWISE SPECIFIED	DRAWN BY T. CSIK	10-14-91	 SKYLOCK INDUSTRIES INCORPORATED MONROVIA CALIFORNIA U. S. A.	
DIMENSIONS ARE IN INCHES	CHECKED			
TOLERANCES ON	ENGINEER			
DECIMALS ANGLES DRILLED HOLES	PROJECT			
.X ± .1 ± 0° 30' AND 10387	APPROVAL T. CSIK	10-14-91	1/4 TURN RETAINER	
.XX ± .03	APPROVAL			
.XXX ± .010				
DO NOT SCALE THIS DRAWING	USED ON			
MATERIAL - FINISH	SIZE	CODE IDENT. NO.	DRAWING NO.	REV.
NEXT ASSY	C	51941	20742	B
FINAL ASSY	SCALE	2: 1	WT.	SHEET 1 OF 1